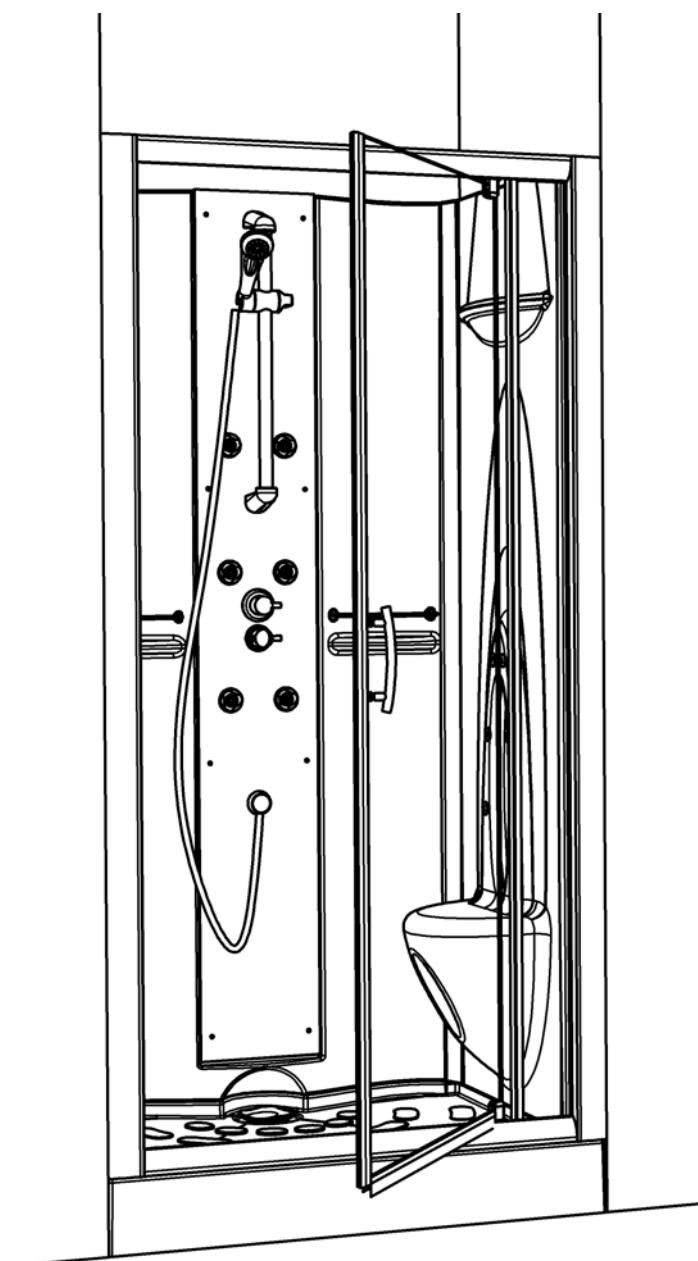
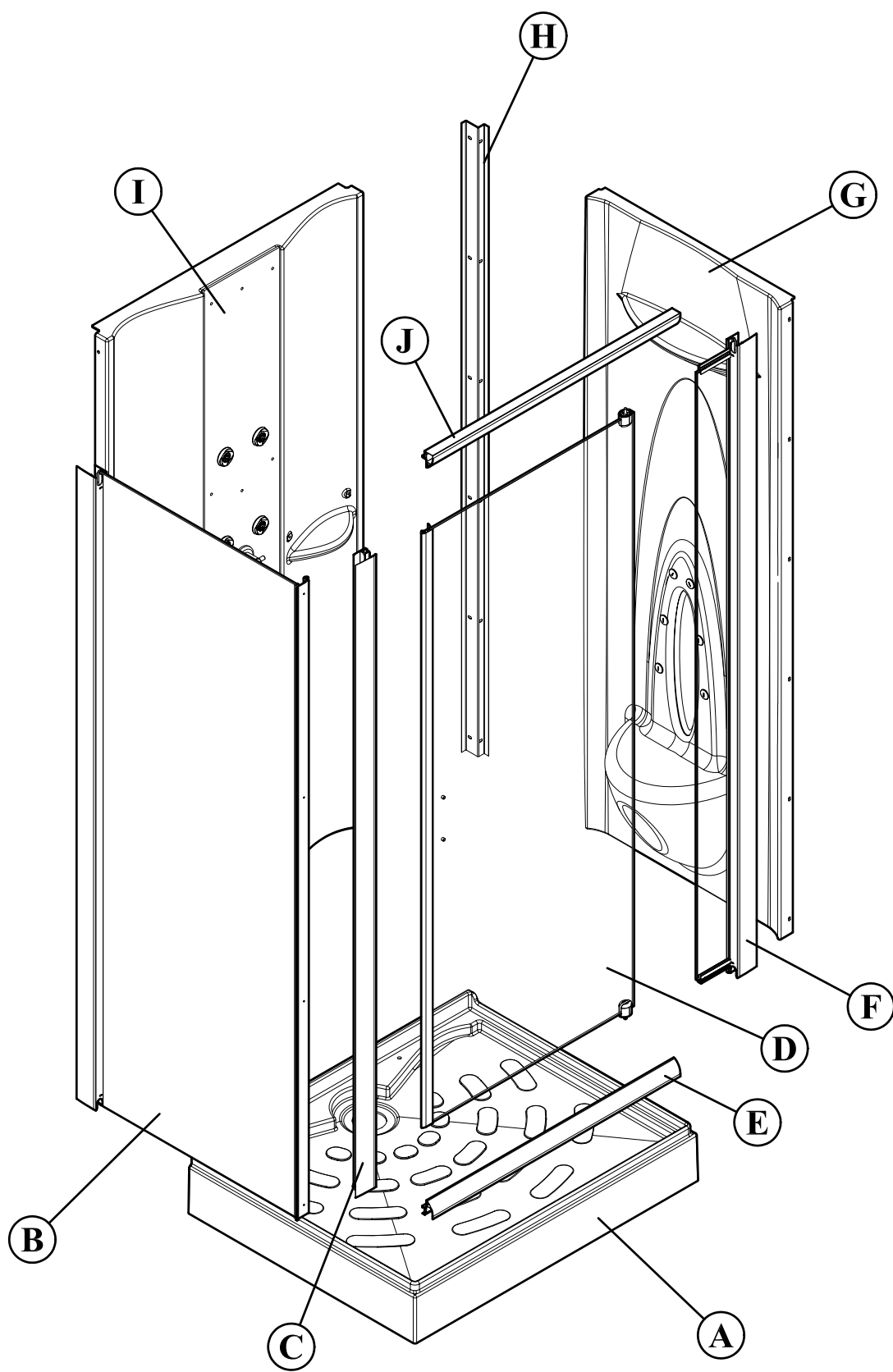
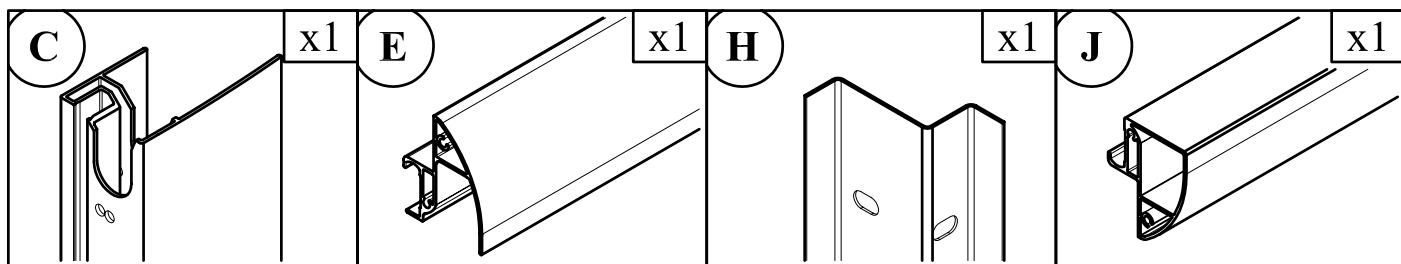


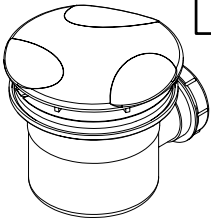
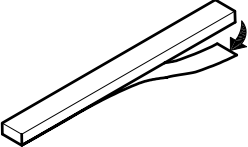
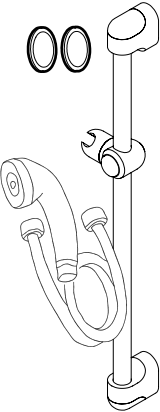
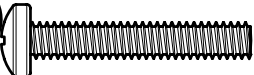
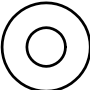

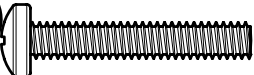
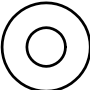

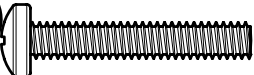
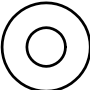

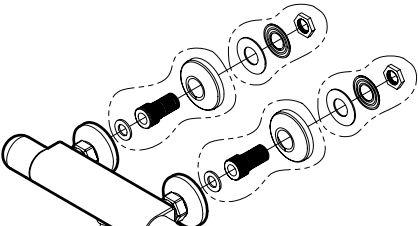



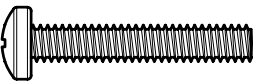
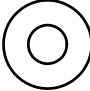

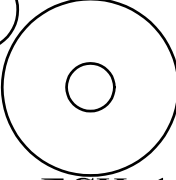
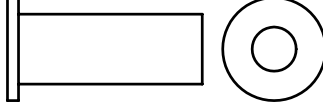

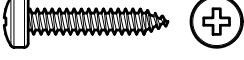
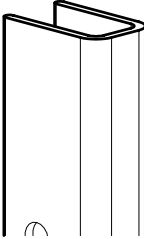
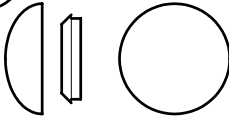

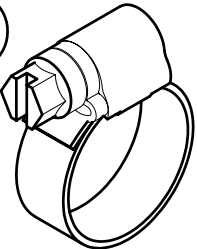
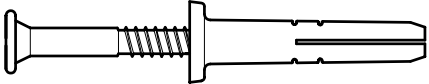
**NOTICE D'INSTALLATION ET D'UTILISATION**  
**INSTRUCTIONS FOR INSTALLATION AND USE**  
*INSTALLATIE-EN GEBRUIKSHANDLEIDING*


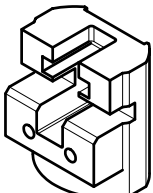
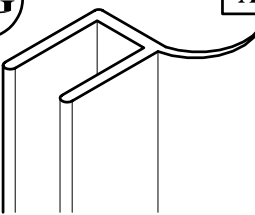
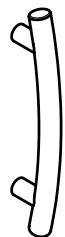

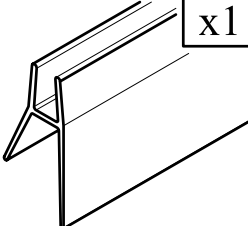


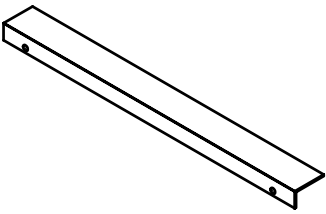
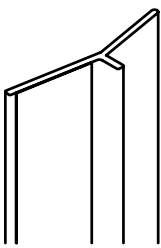
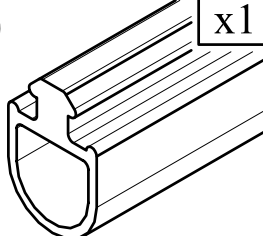
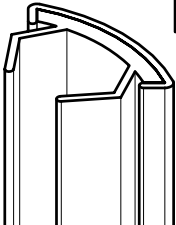


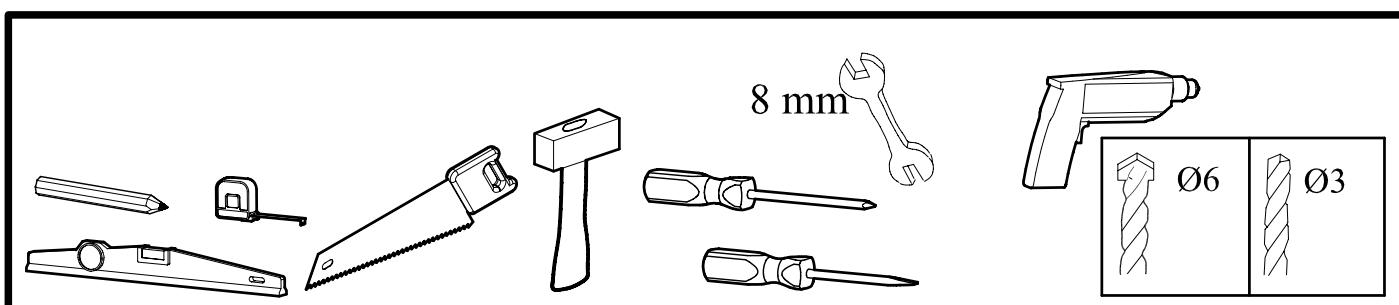
**DES 392A**

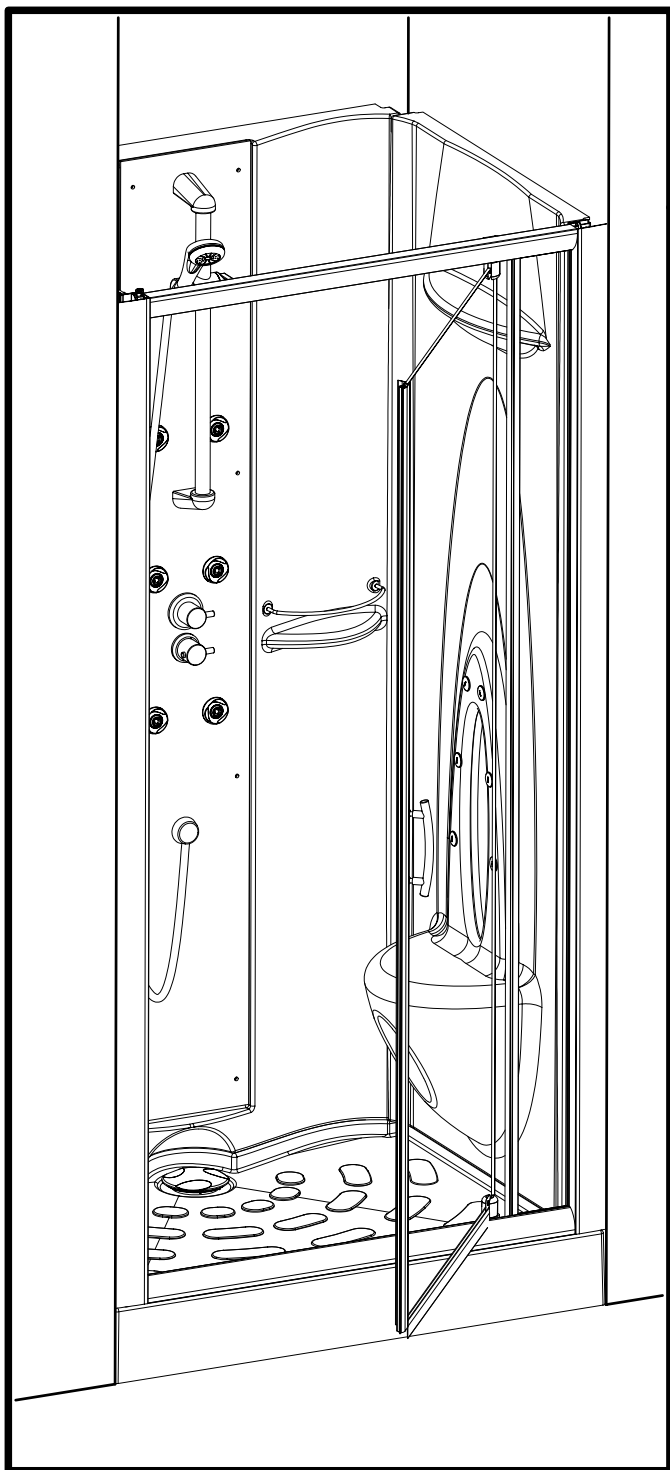




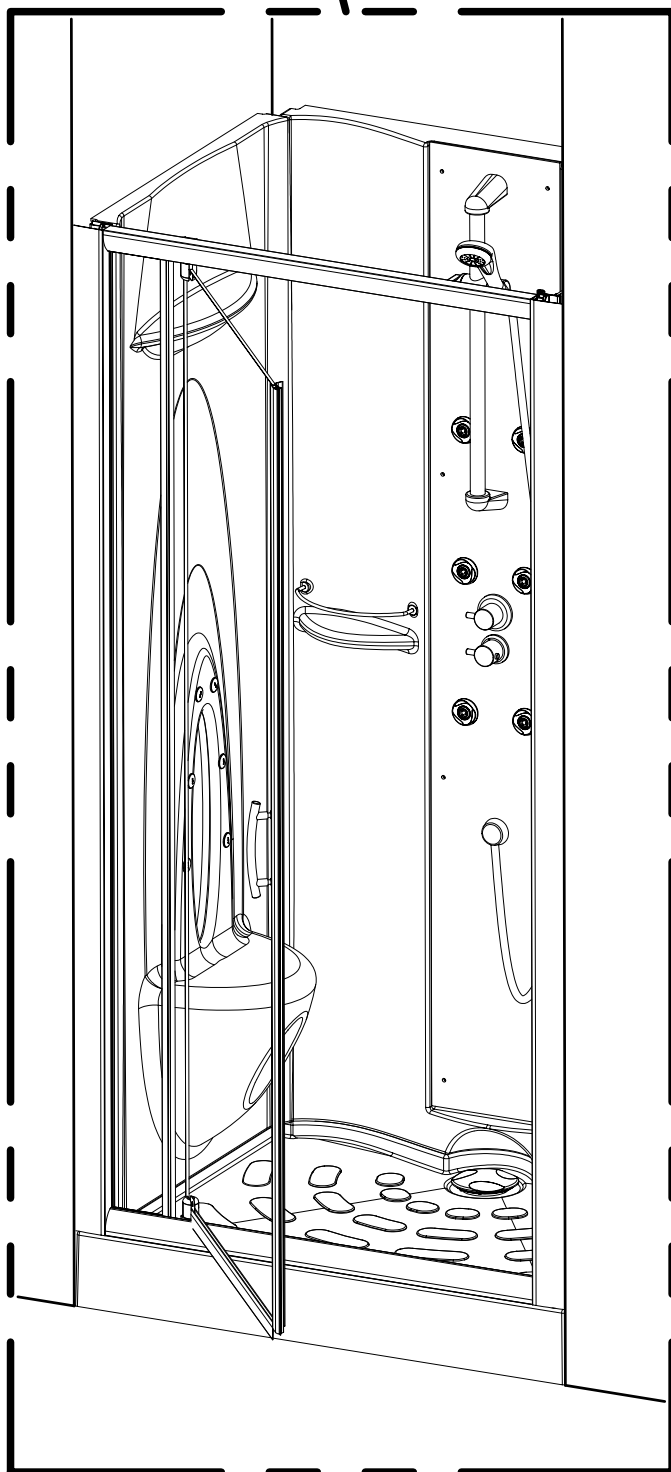
<p><b>K</b>  x1</p>	<p><b>L</b>  x3</p>	<p><b>M</b> </p> <table border="1" data-bbox="970 495 1495 837"> <tr> <td data-bbox="975 495 1310 591"> <p><b>M1</b>  ⊕</p> </td> <td data-bbox="1313 495 1495 591"> <p>x2+1</p> </td> </tr> <tr> <td data-bbox="975 595 1310 692"> <p><b>M2</b> </p> </td> <td data-bbox="1313 595 1495 692"> <p>x2+1</p> </td> </tr> <tr> <td data-bbox="975 696 1310 792"> <p><b>M3</b> </p> </td> <td data-bbox="1313 696 1495 792"> <p>x2+1</p> </td> </tr> <tr> <td colspan="2" data-bbox="975 797 1495 837"> <p>ECH: 1:1</p> </td> </tr> </table>		<p><b>M1</b>  ⊕</p>	<p>x2+1</p>	<p><b>M2</b> </p>	<p>x2+1</p>	<p><b>M3</b> </p>	<p>x2+1</p>	<p>ECH: 1:1</p>	
<p><b>M1</b>  ⊕</p>	<p>x2+1</p>										
<p><b>M2</b> </p>	<p>x2+1</p>										
<p><b>M3</b> </p>	<p>x2+1</p>										
<p>ECH: 1:1</p>											
<p><b>N</b>  x1</p>											
<p><b>O</b>  x2</p>	<p><b>P</b>  x4 ECH: 1:1</p>	<p><b>R</b>  ⊕ x4+1 ECH: 1:1</p>	<p><b>S</b>  ⊕ x26+1 ECH: 1:1</p>								
<p><b>T</b>  x28+1 ECH: 1:1</p>	<p><b>U</b>  x24+1 ECH: 1:1</p>	<p><b>V</b>  x2+1 ECH: 1:1</p>	<p><b>W</b>  x2+1 ECH: 1:1</p>								
<p><b>X</b>  ⊕ x4+1 ECH: 1:1</p>	<p><b>Y</b>  ⊕ x6+3 ECH: 1:1</p>	<p><b>Z</b>  x2</p>	<p><b>AA</b>  x6 ECH: 1:1</p>								
<p><b>AB</b>  ⊕ x4+1 ECH: 1:1</p>	<p><b>AC</b>  x1</p>	<p><b>AD</b>  ⊕ x4+1 ECH: 1:1</p>									

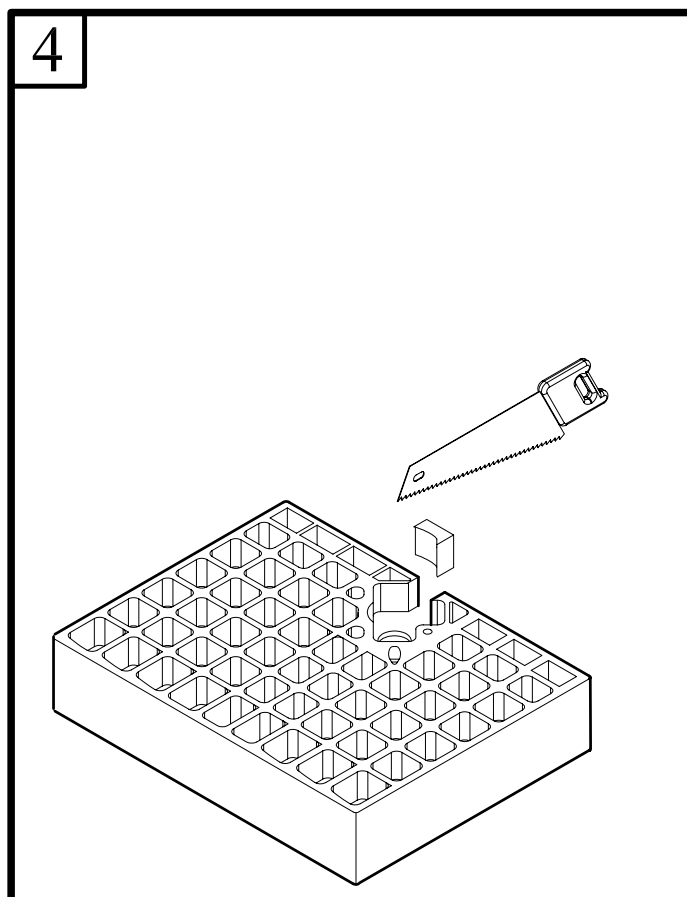
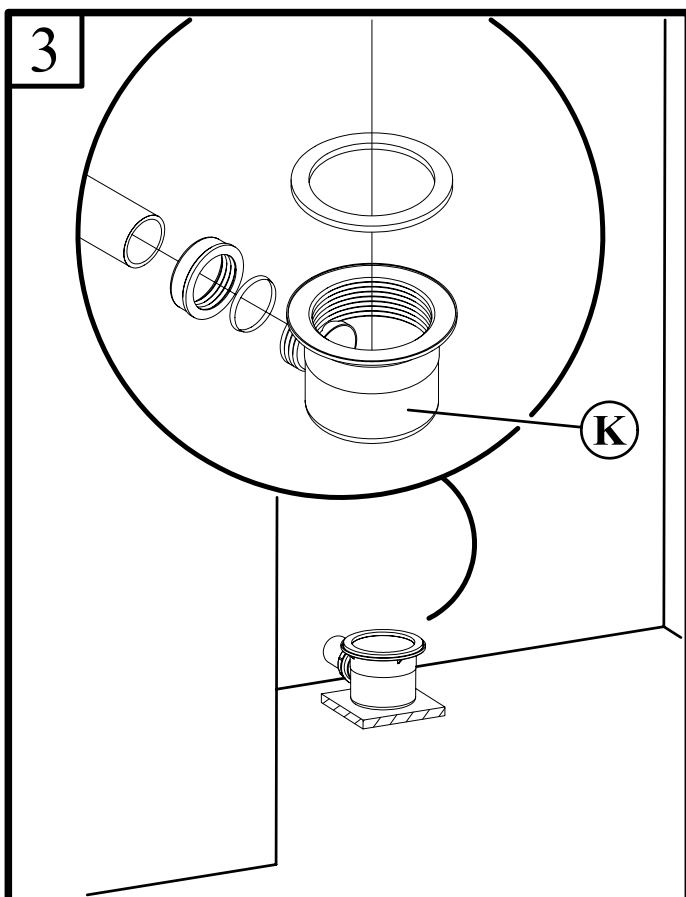
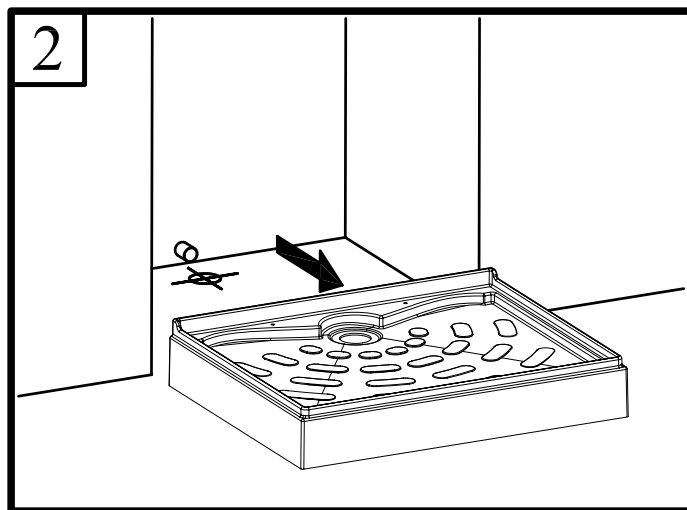
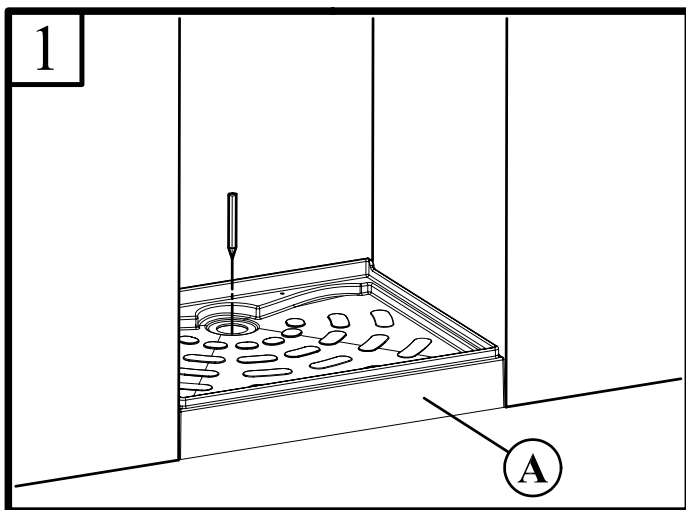
<p><b>AE</b> x2+1</p>  <p>ECH: 1:1</p>	<p><b>AF</b> x2</p> 	<p><b>AG</b> x1</p> 	<p><b>AH</b> x1</p> 
<p><b>AI</b> x2+1</p>  <p>ECH: 1:1</p>	<p><b>AJ</b> x1</p> 	<p><b>AK</b> x4+1</p>  <p>ECH: 1:1</p>	<p><b>AL</b> x2</p> 
<p><b>AM</b> x2</p> 		<p><b>AN</b> x2</p> 	<p><b>AO</b> x1</p> 
<p><b>AP</b> x1</p> 			



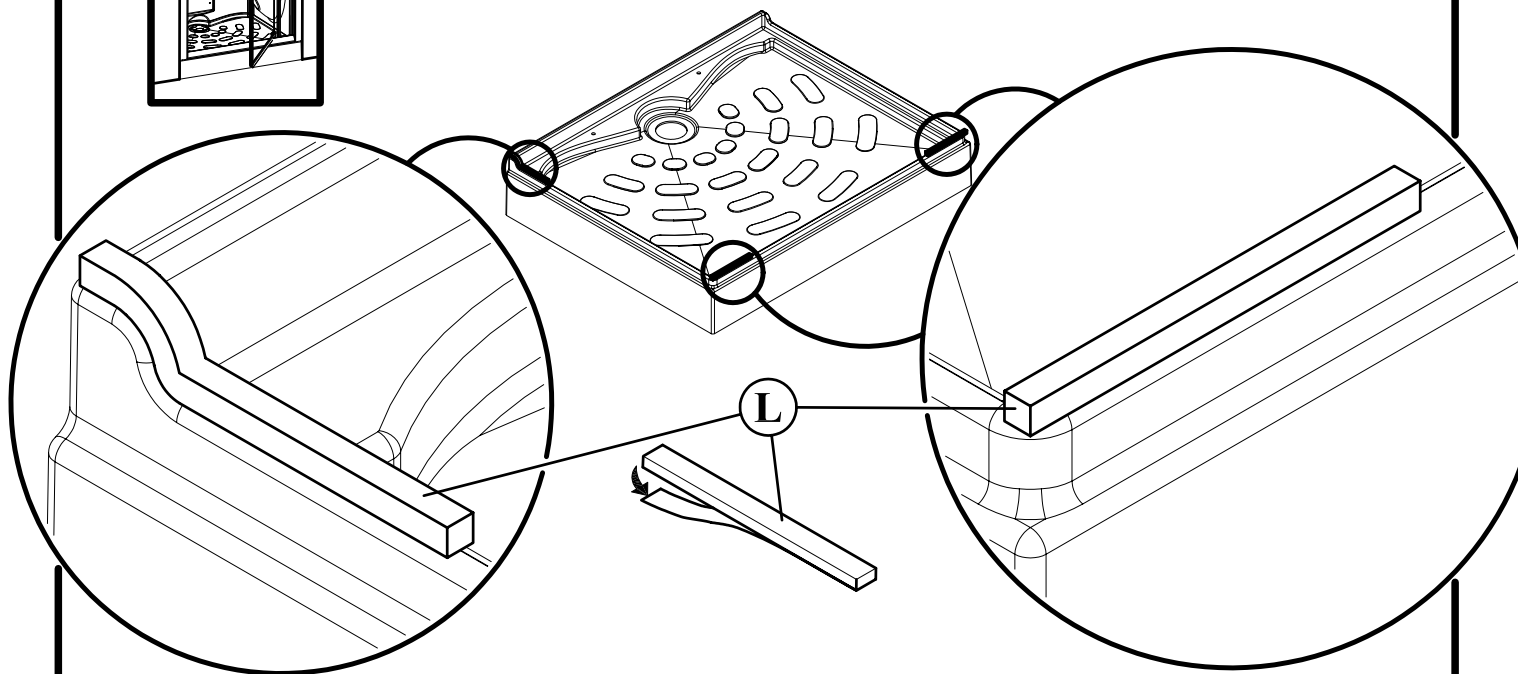
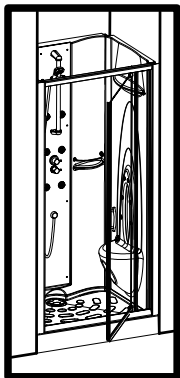


OU  
ODER  
OR  
OF  
O

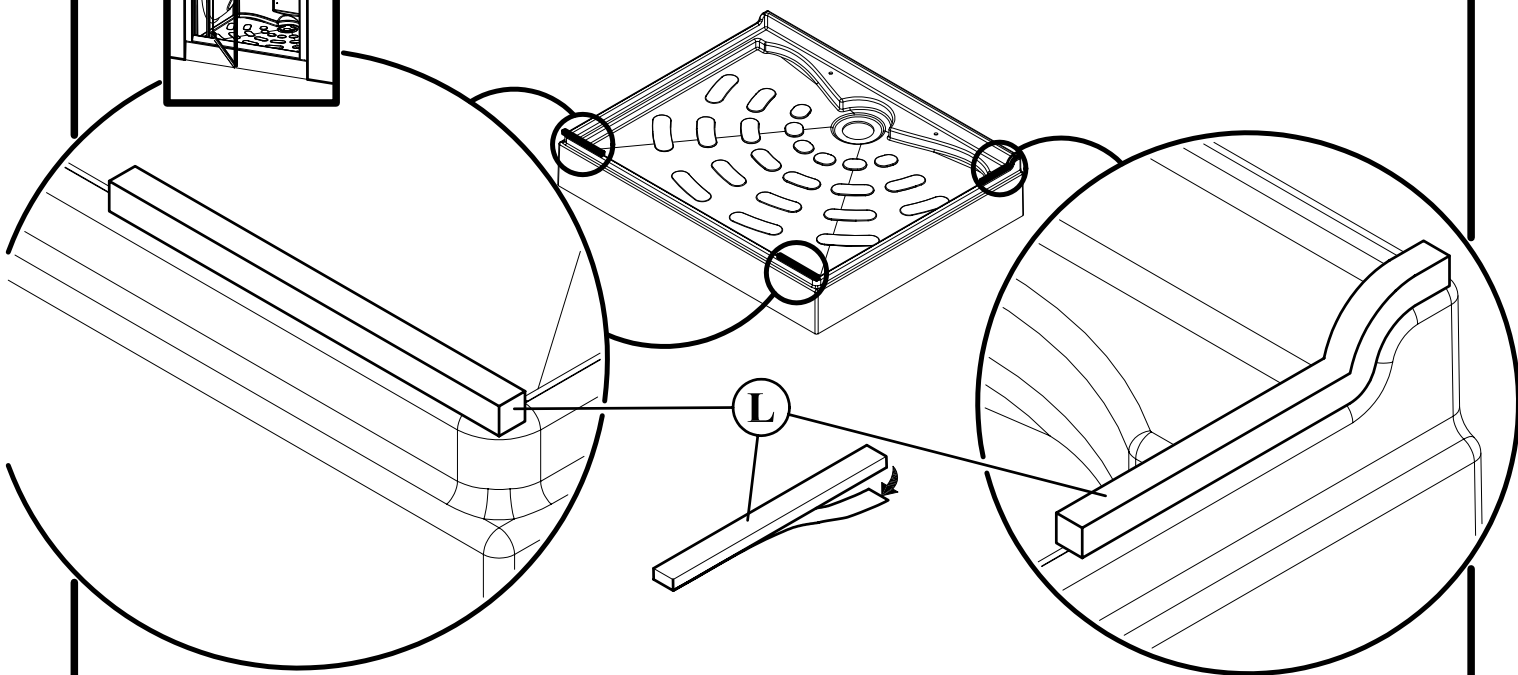
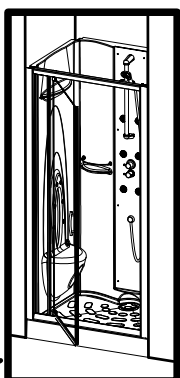




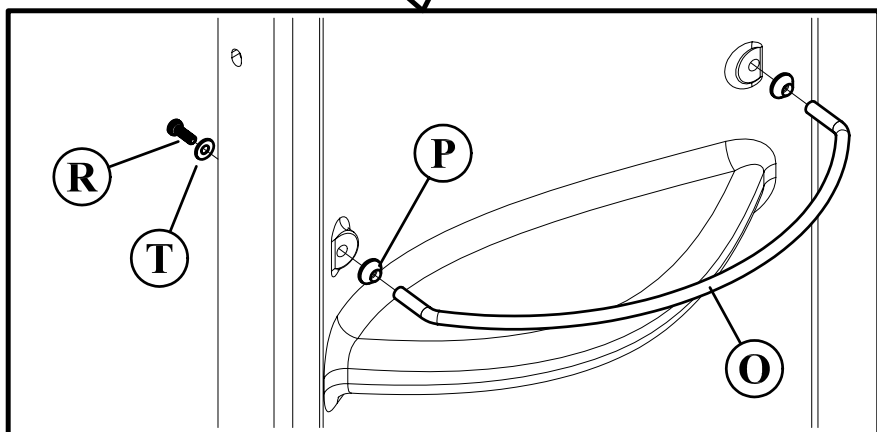
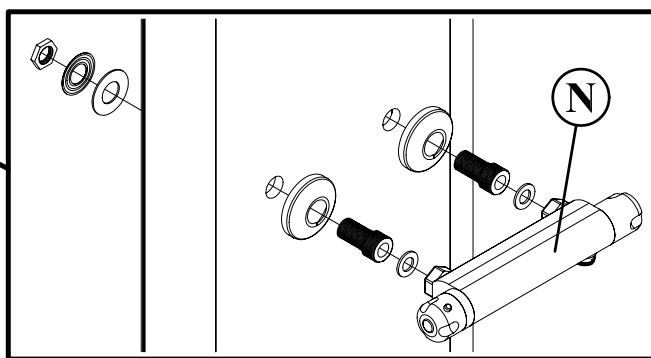
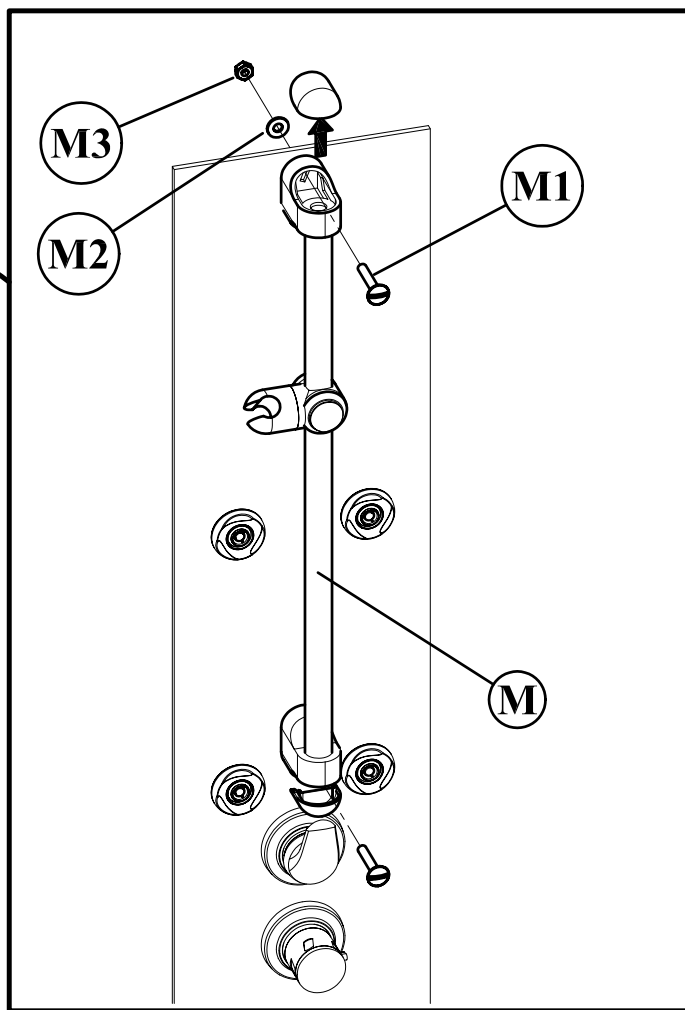
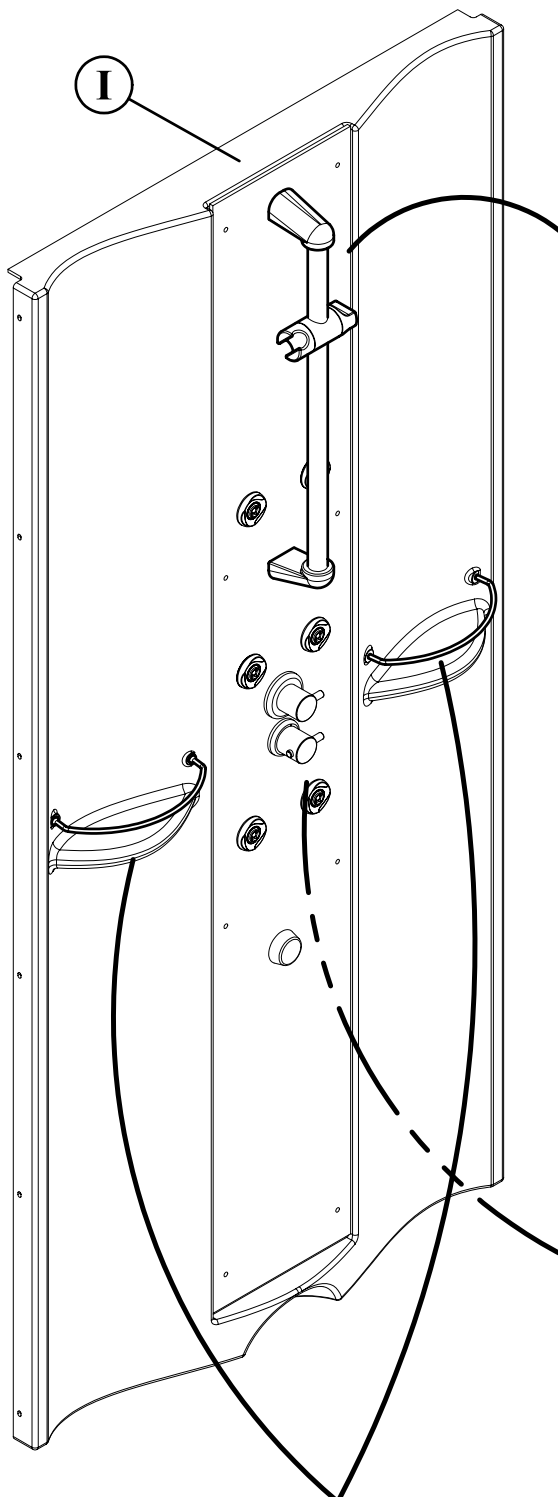
5a

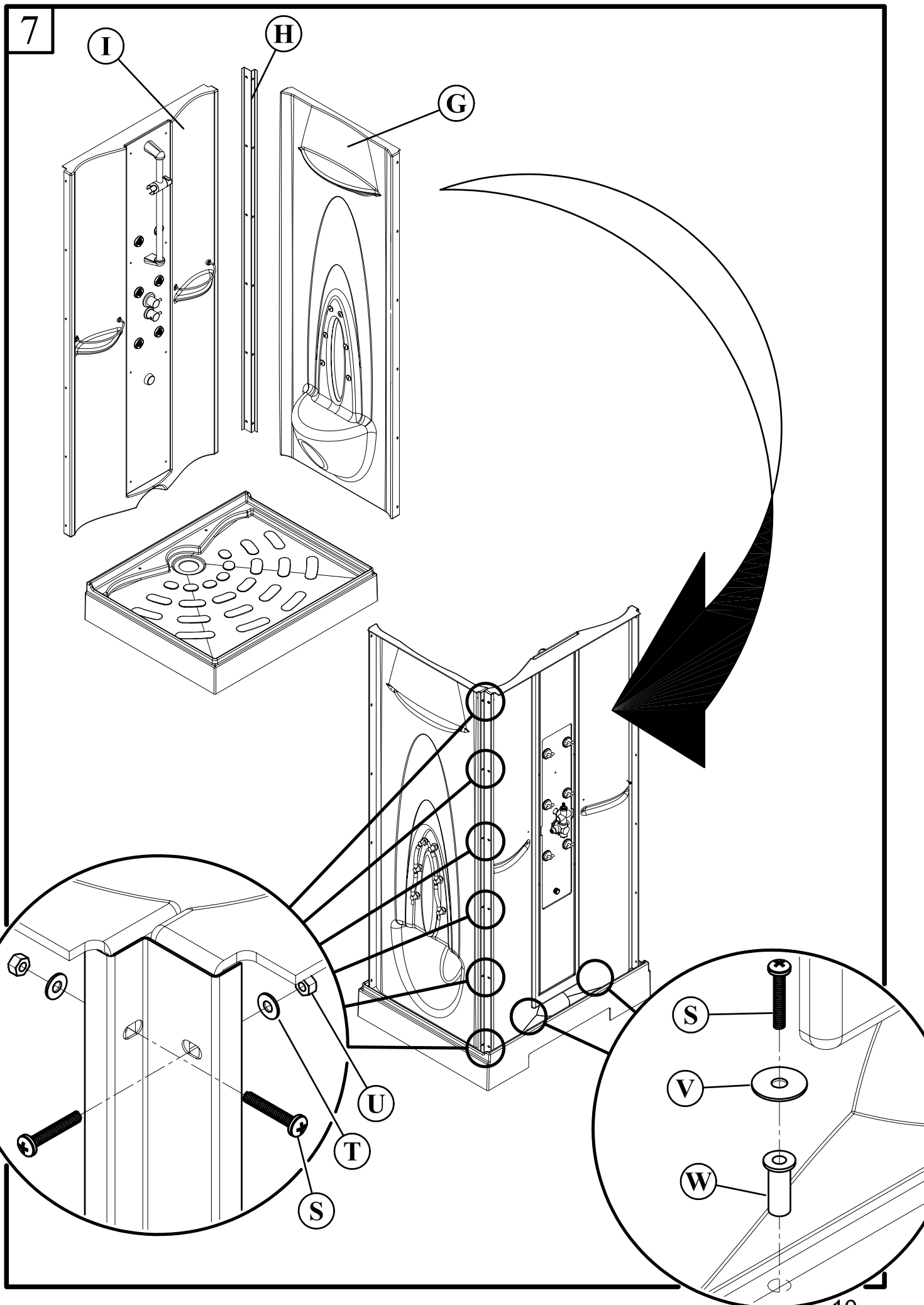


5b

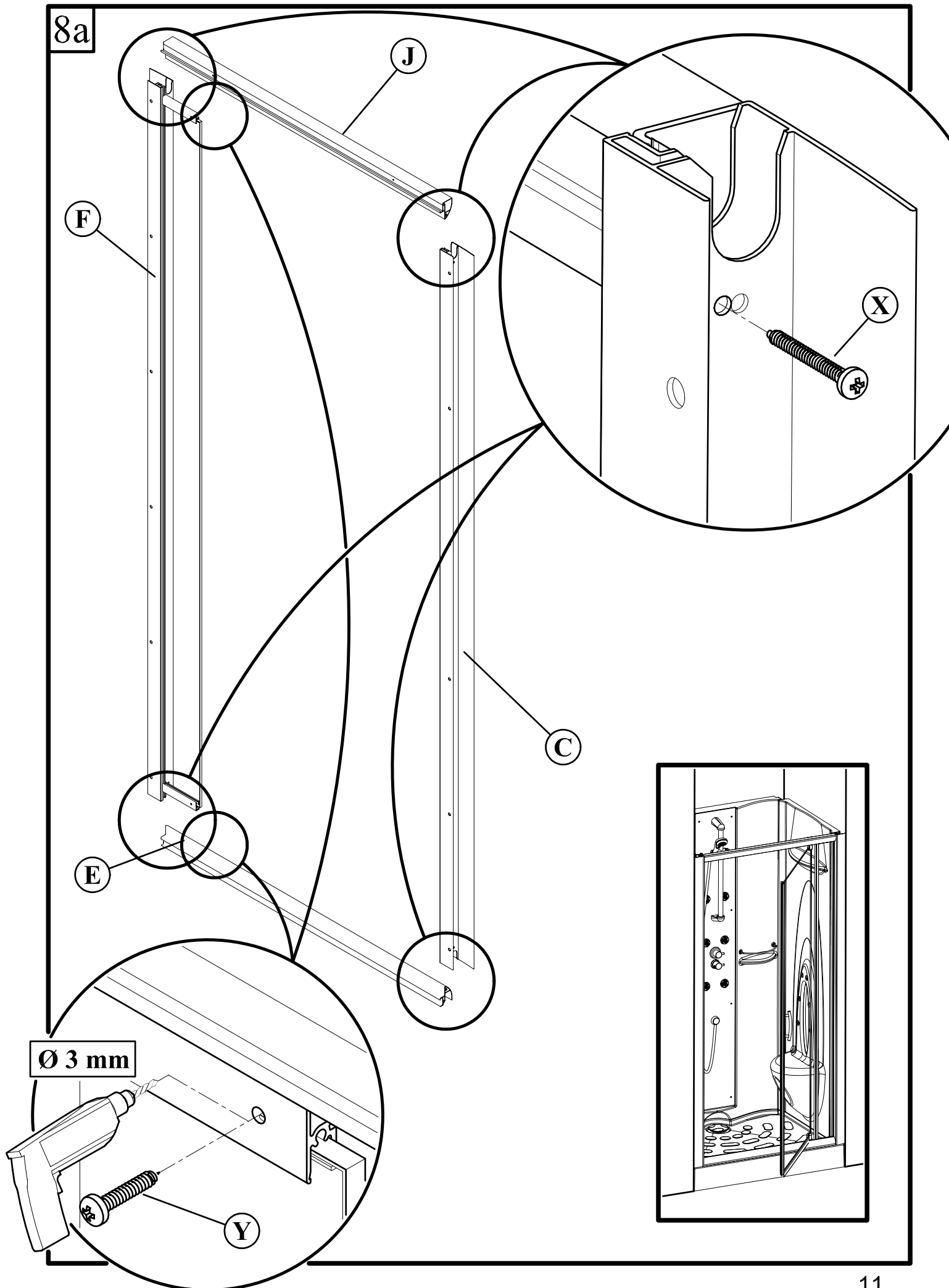


6

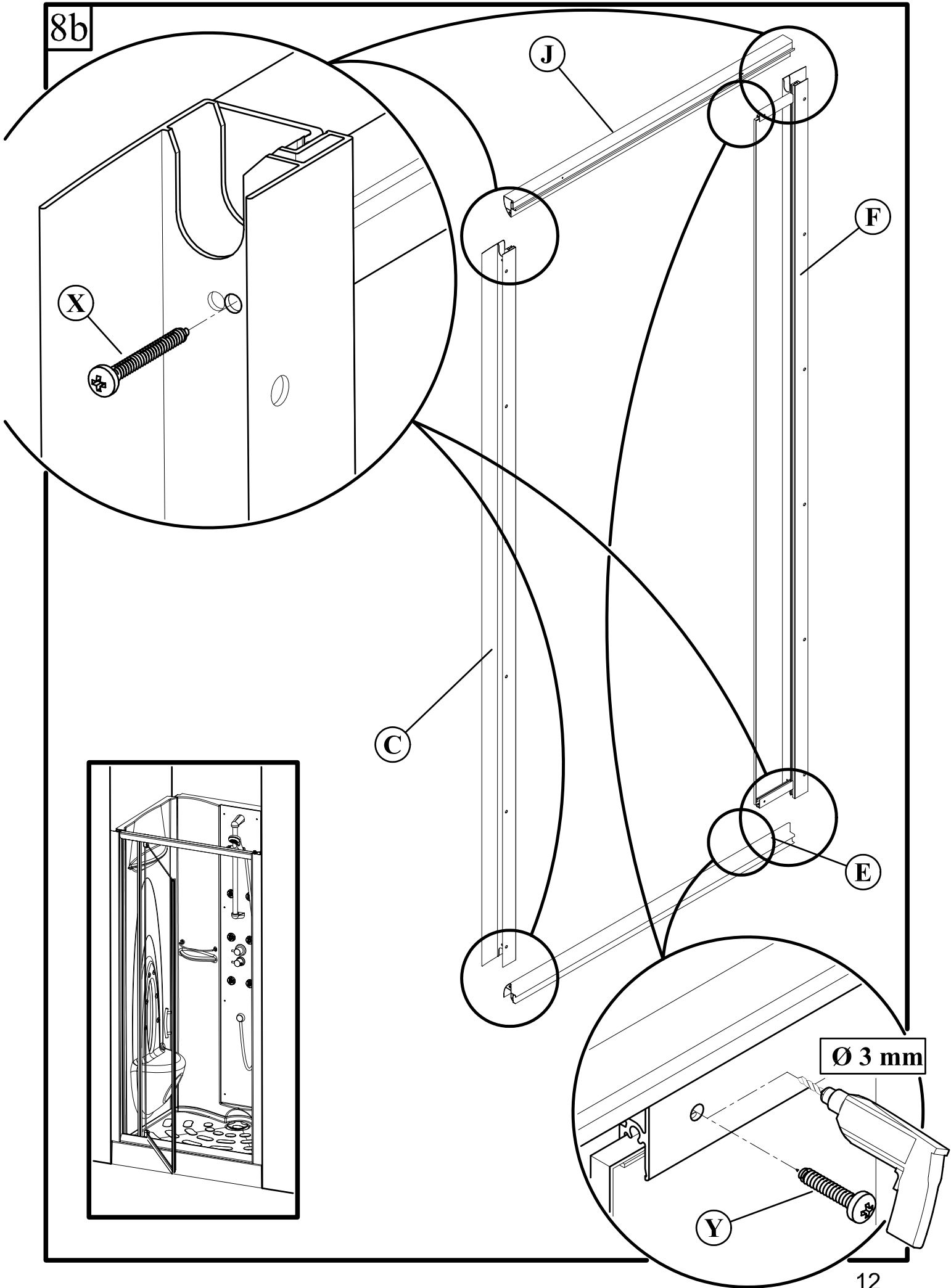




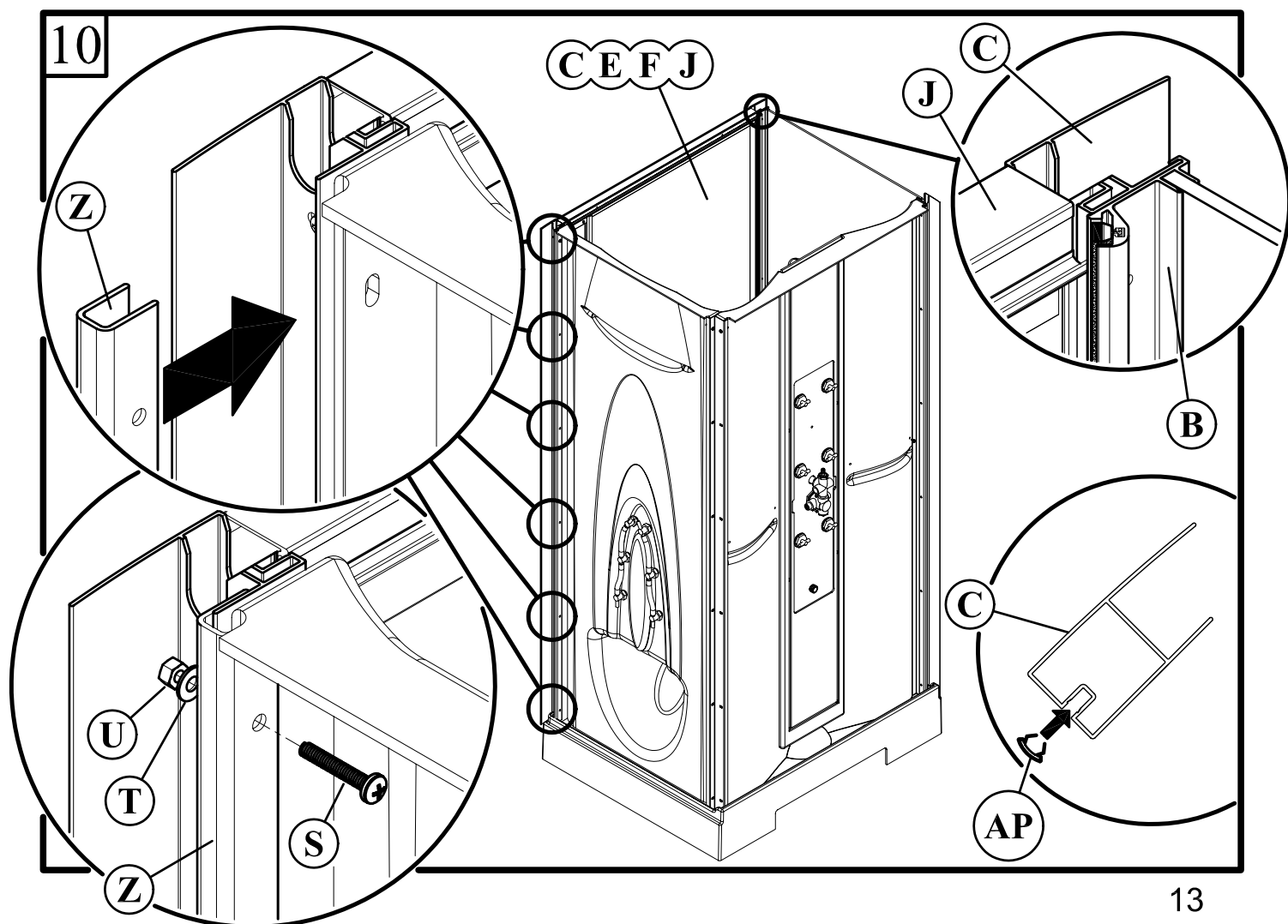
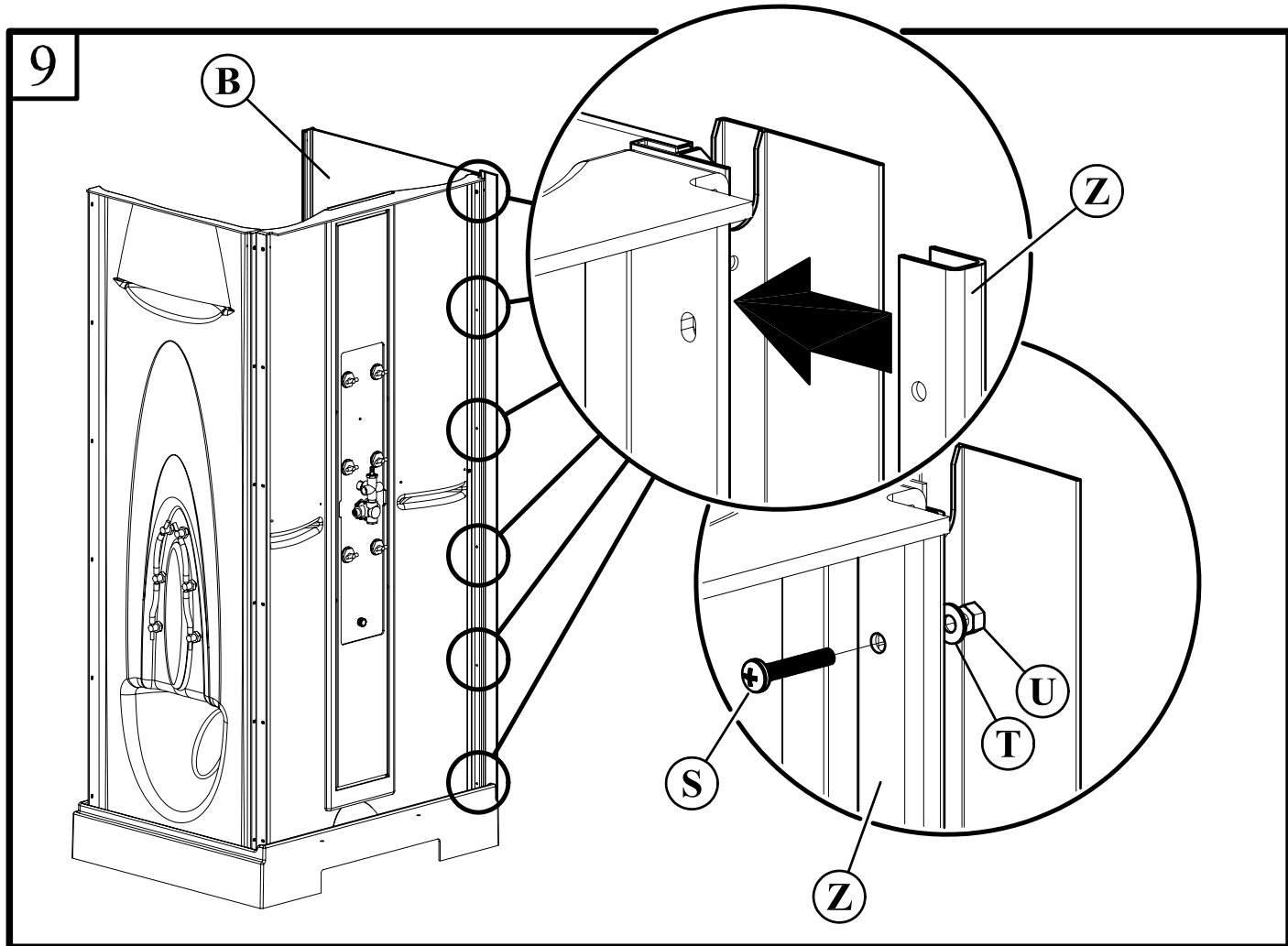
8a

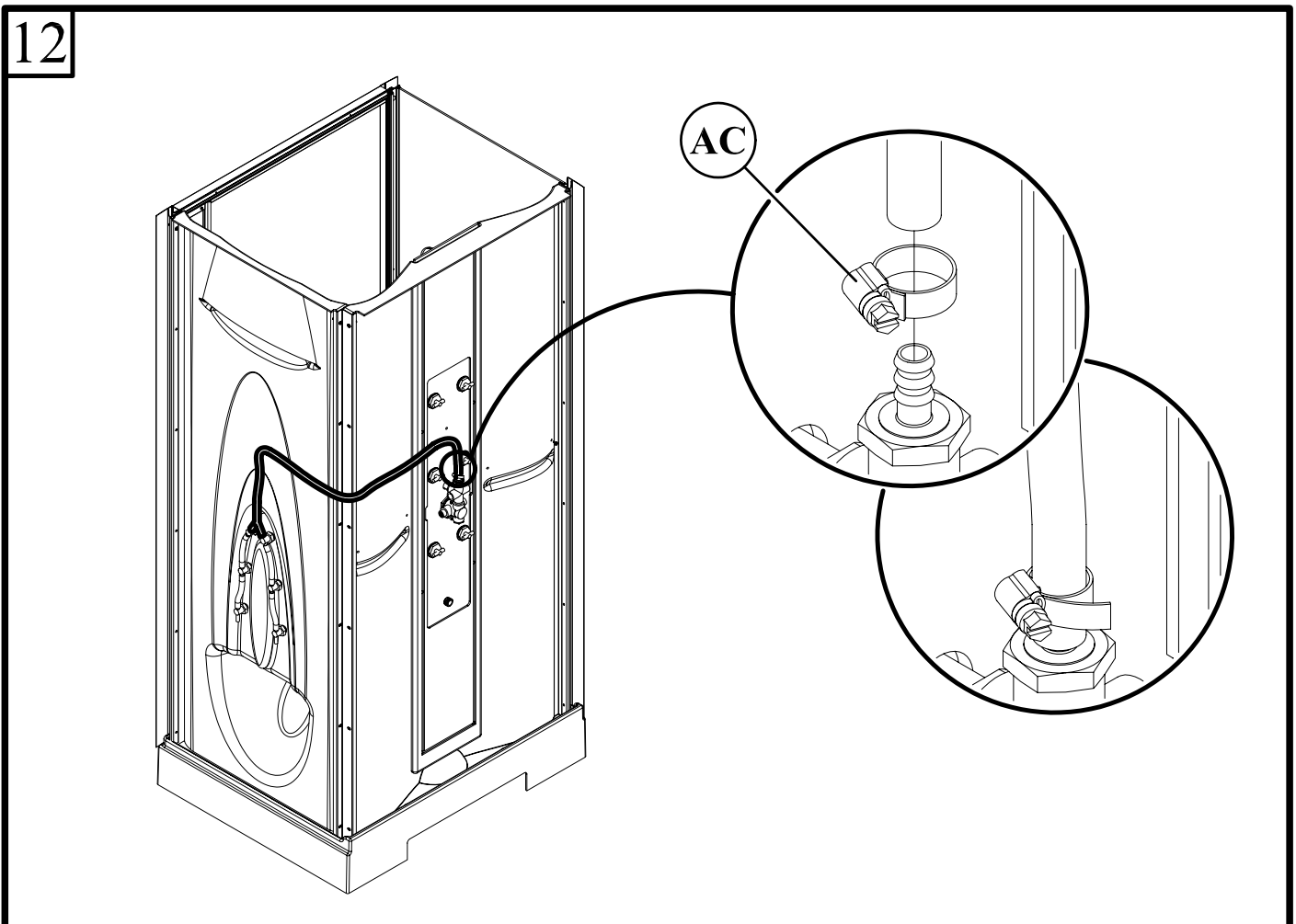
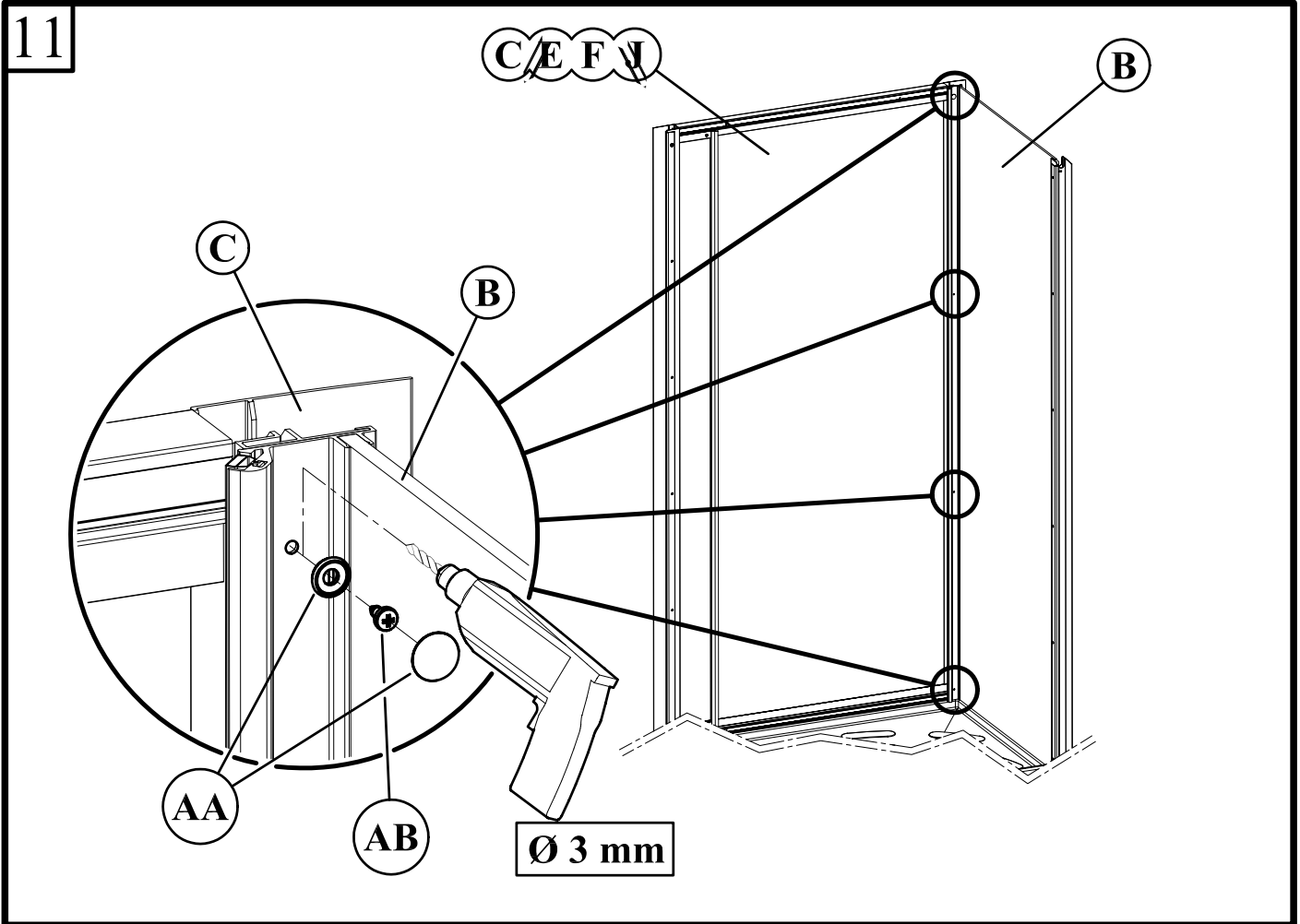


8b

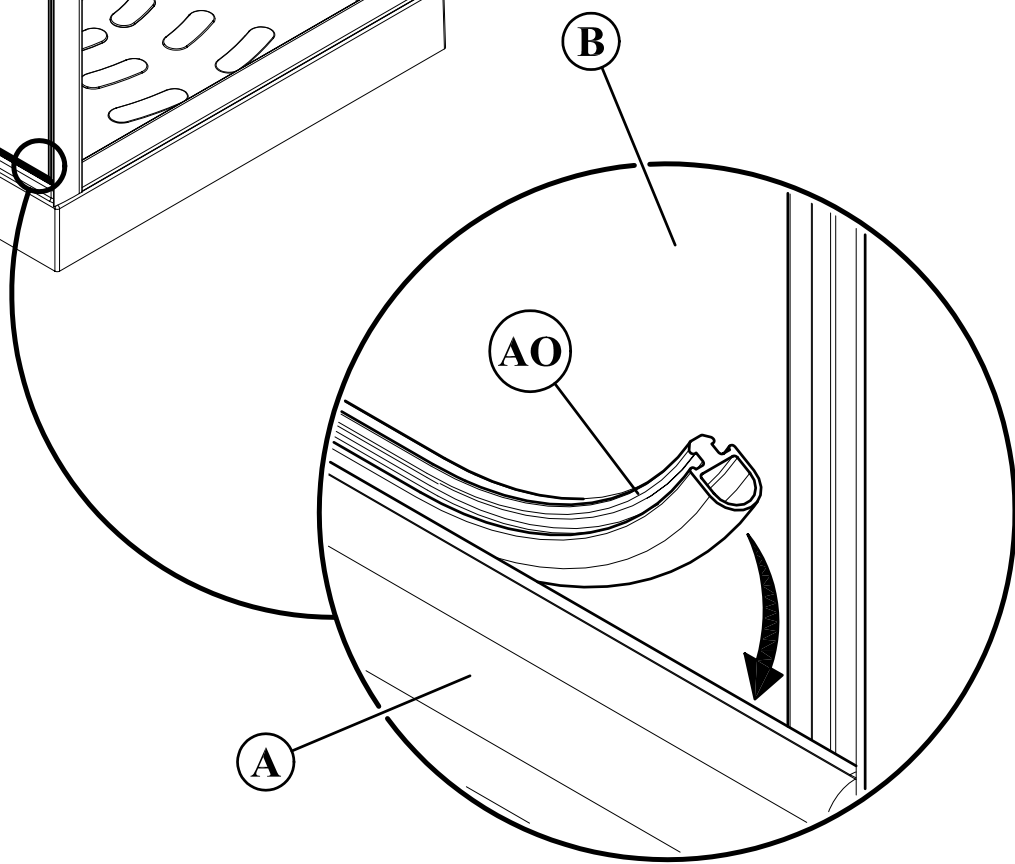
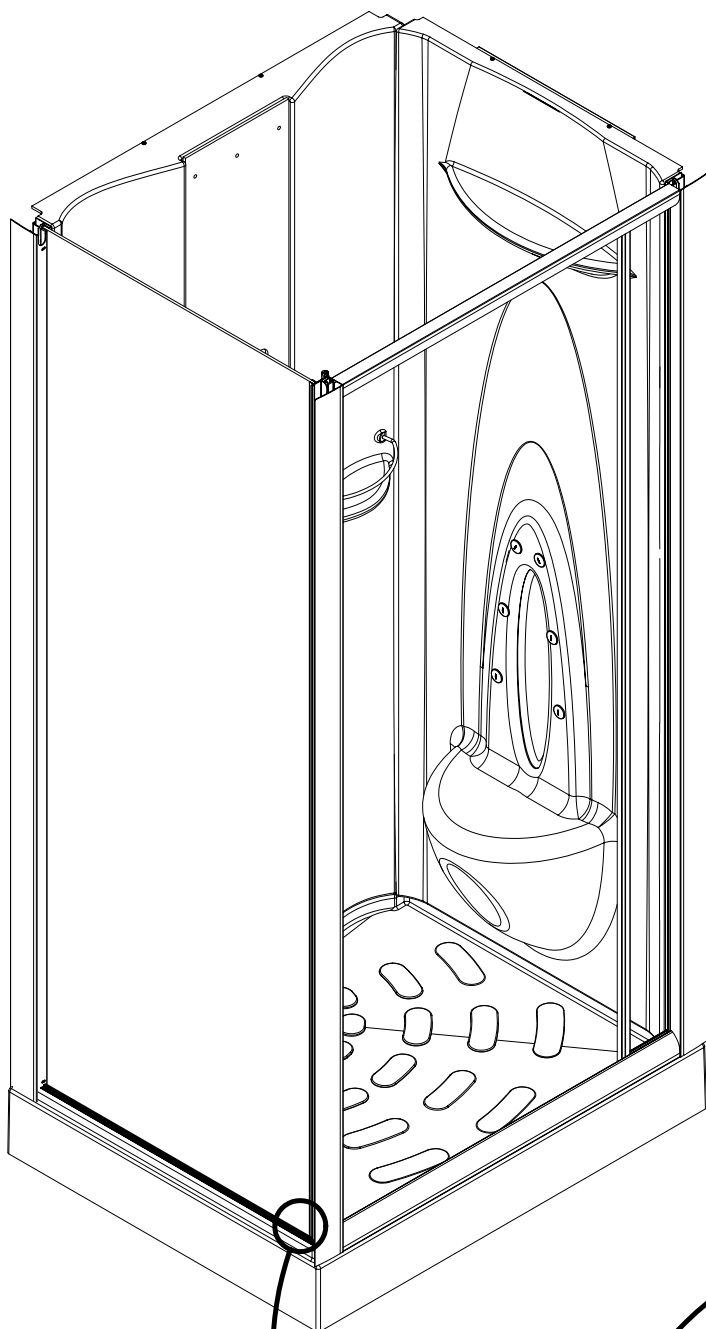


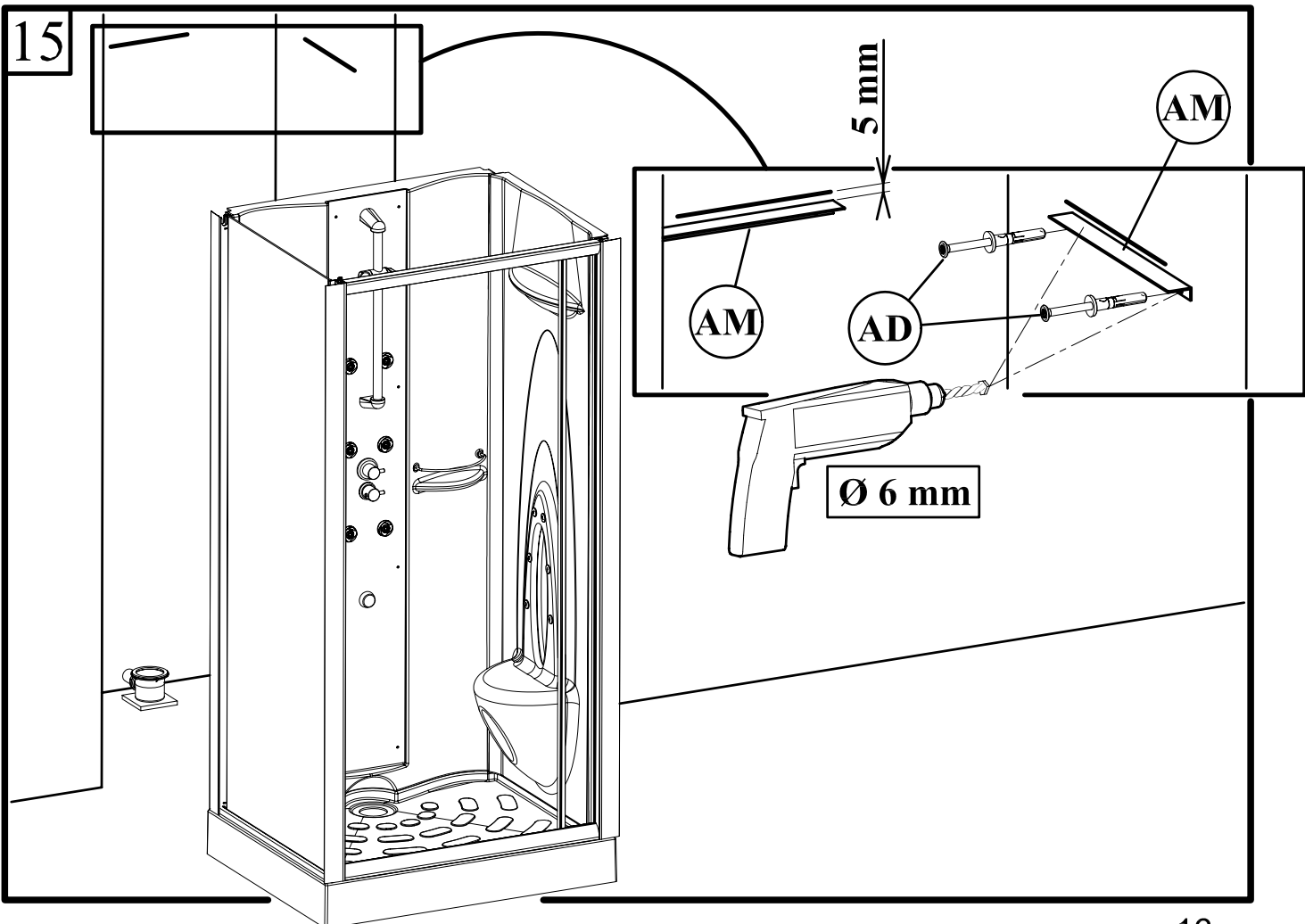
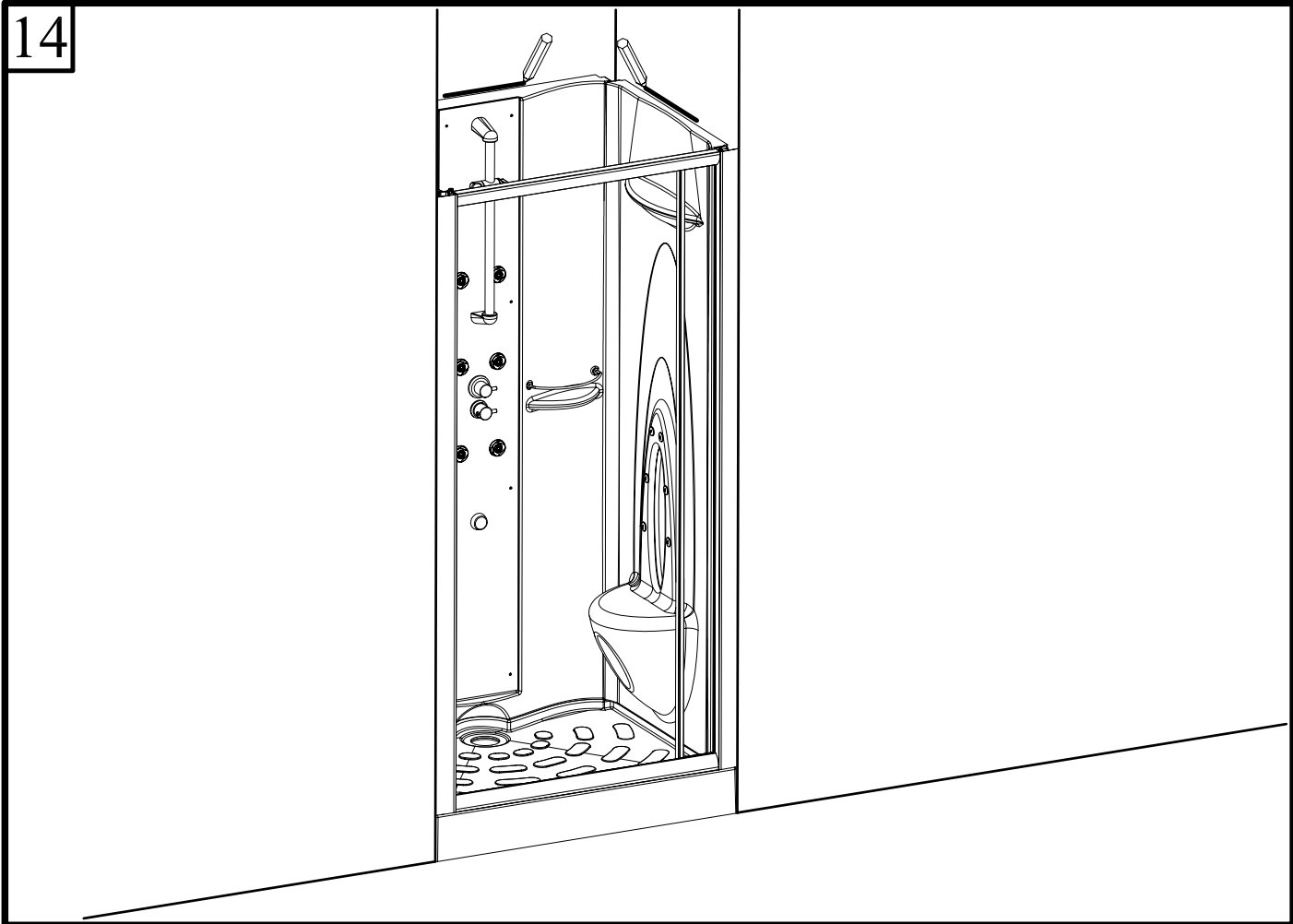
Ø 3 mm

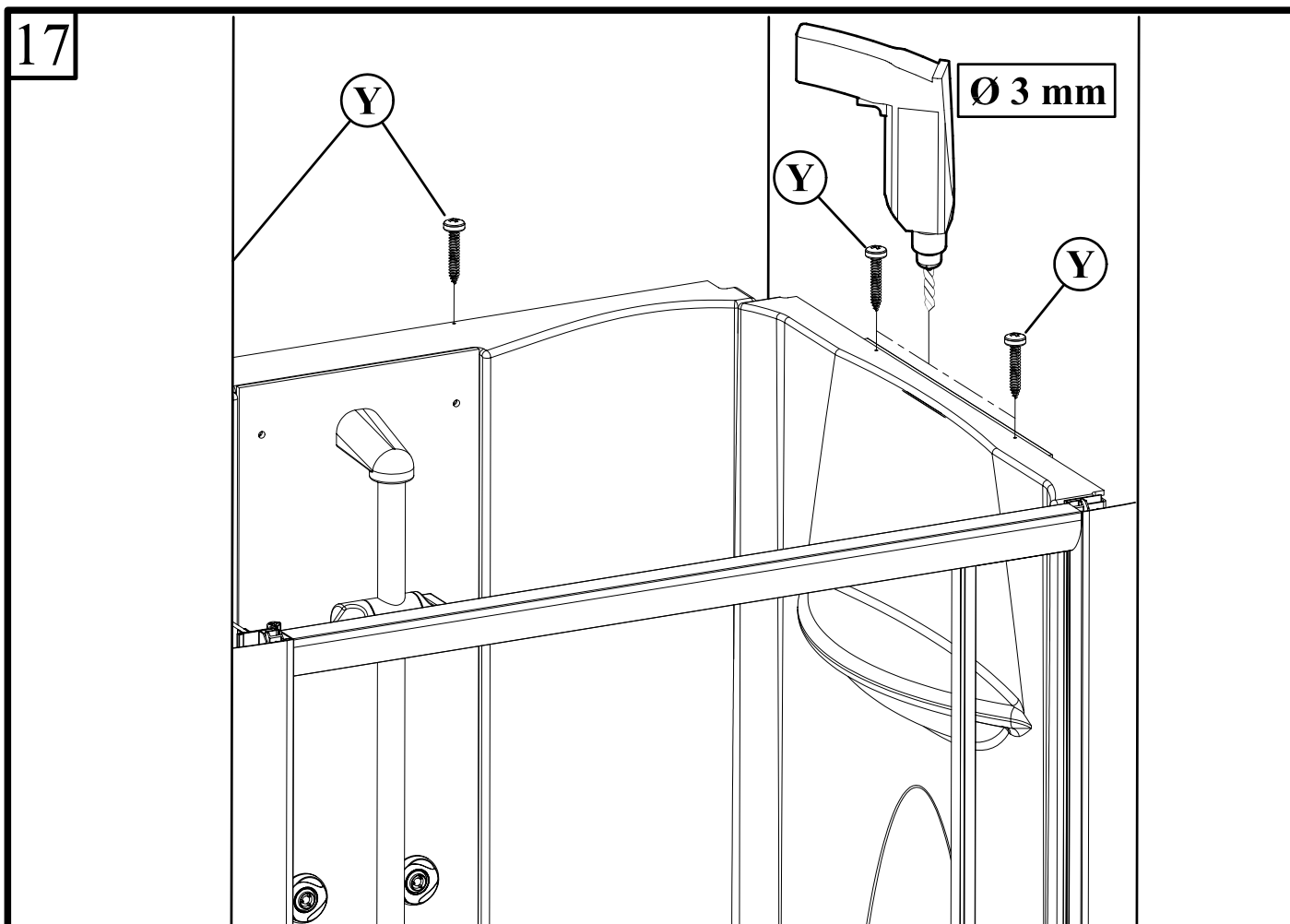
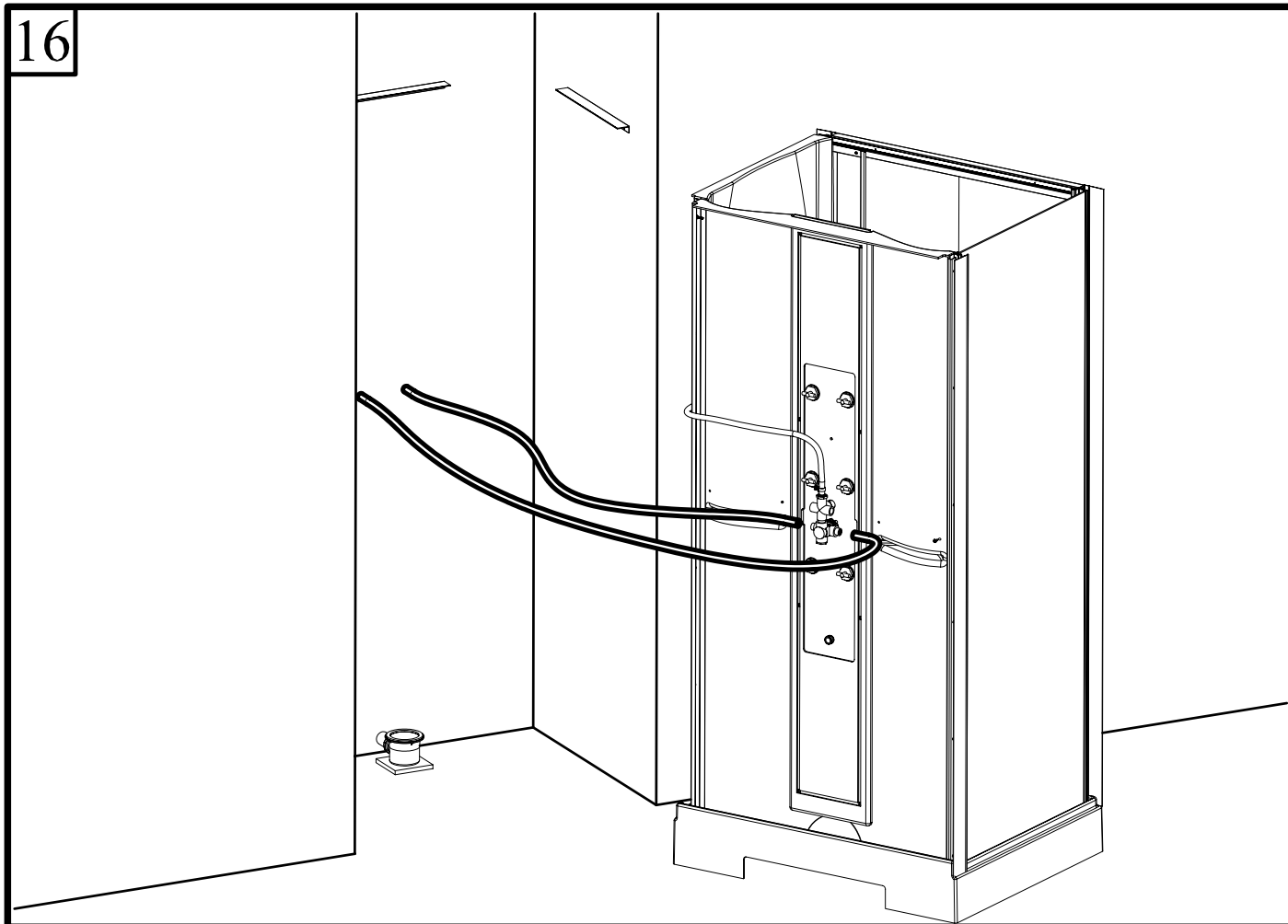


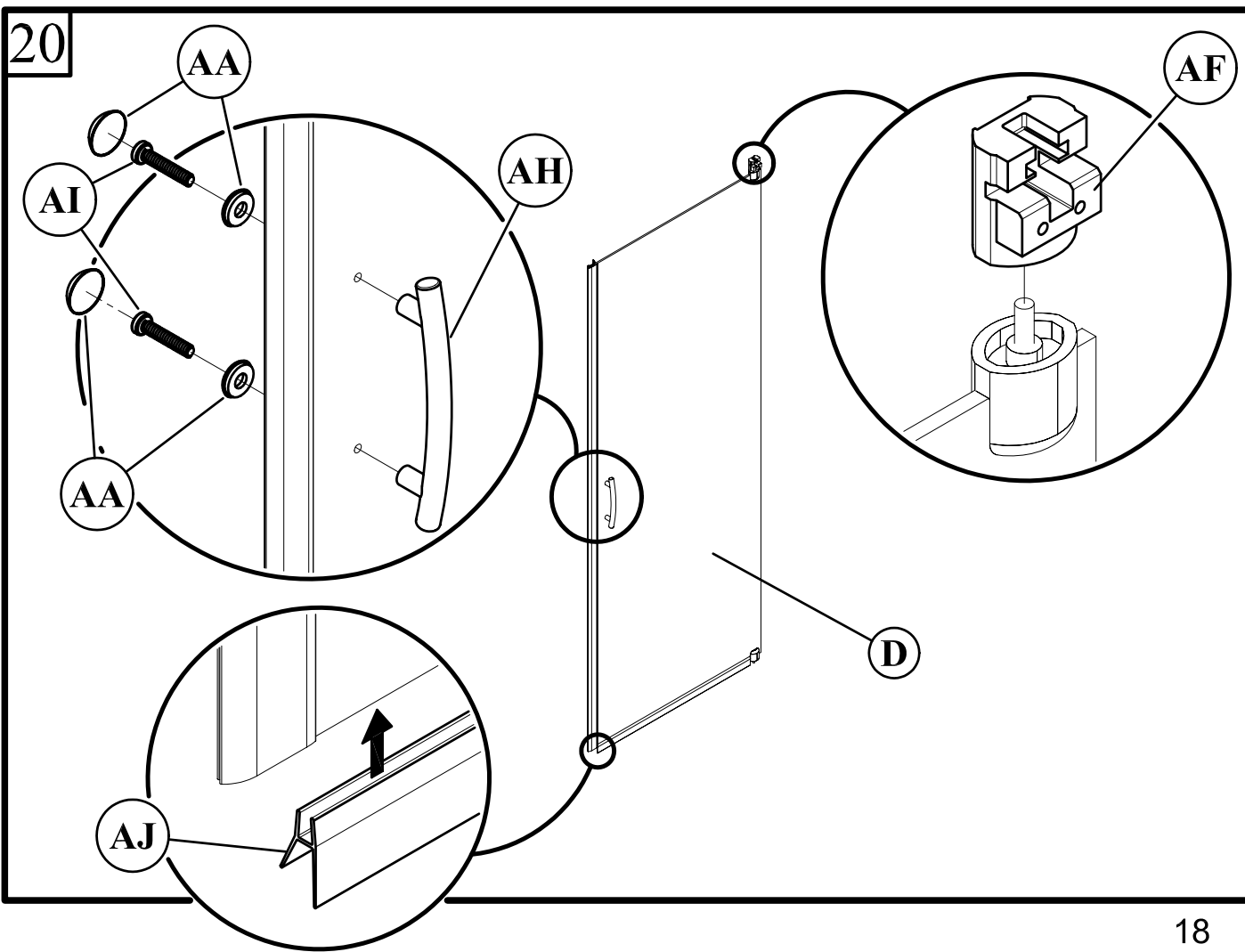
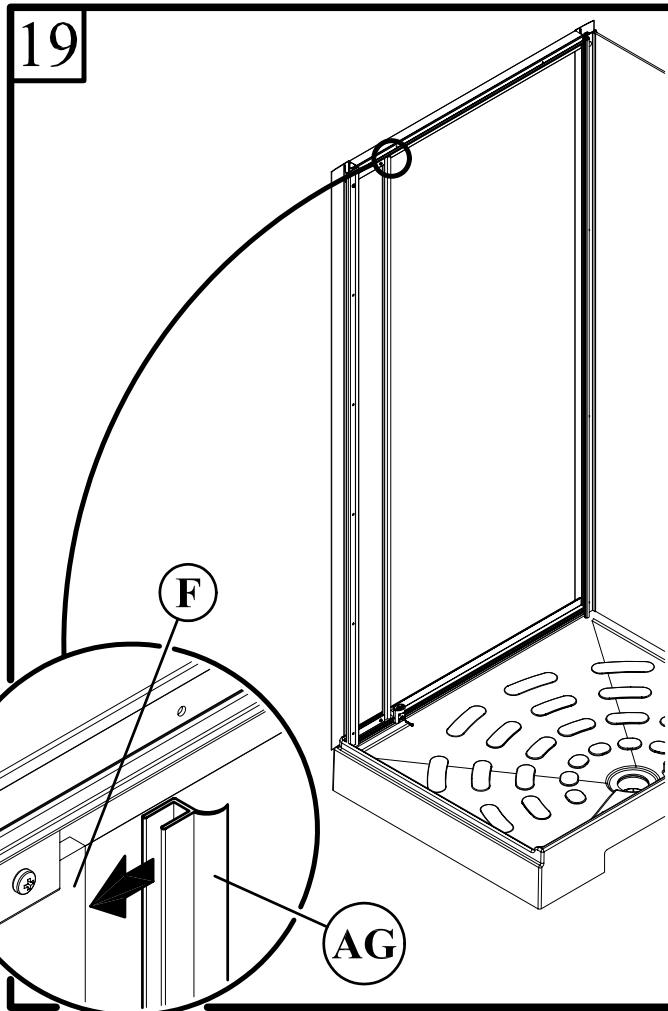
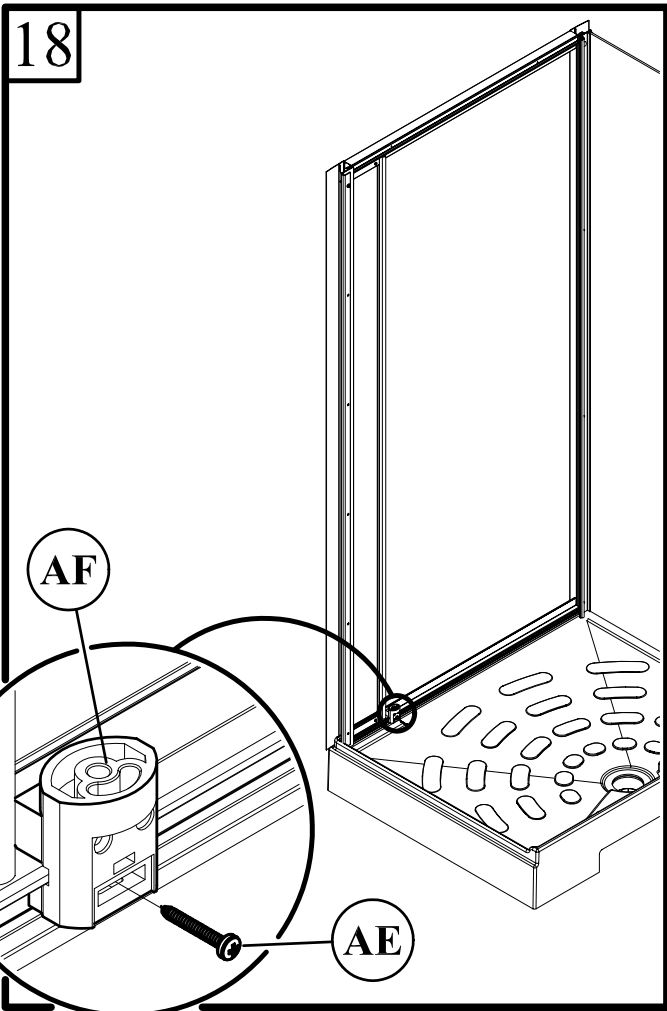


13

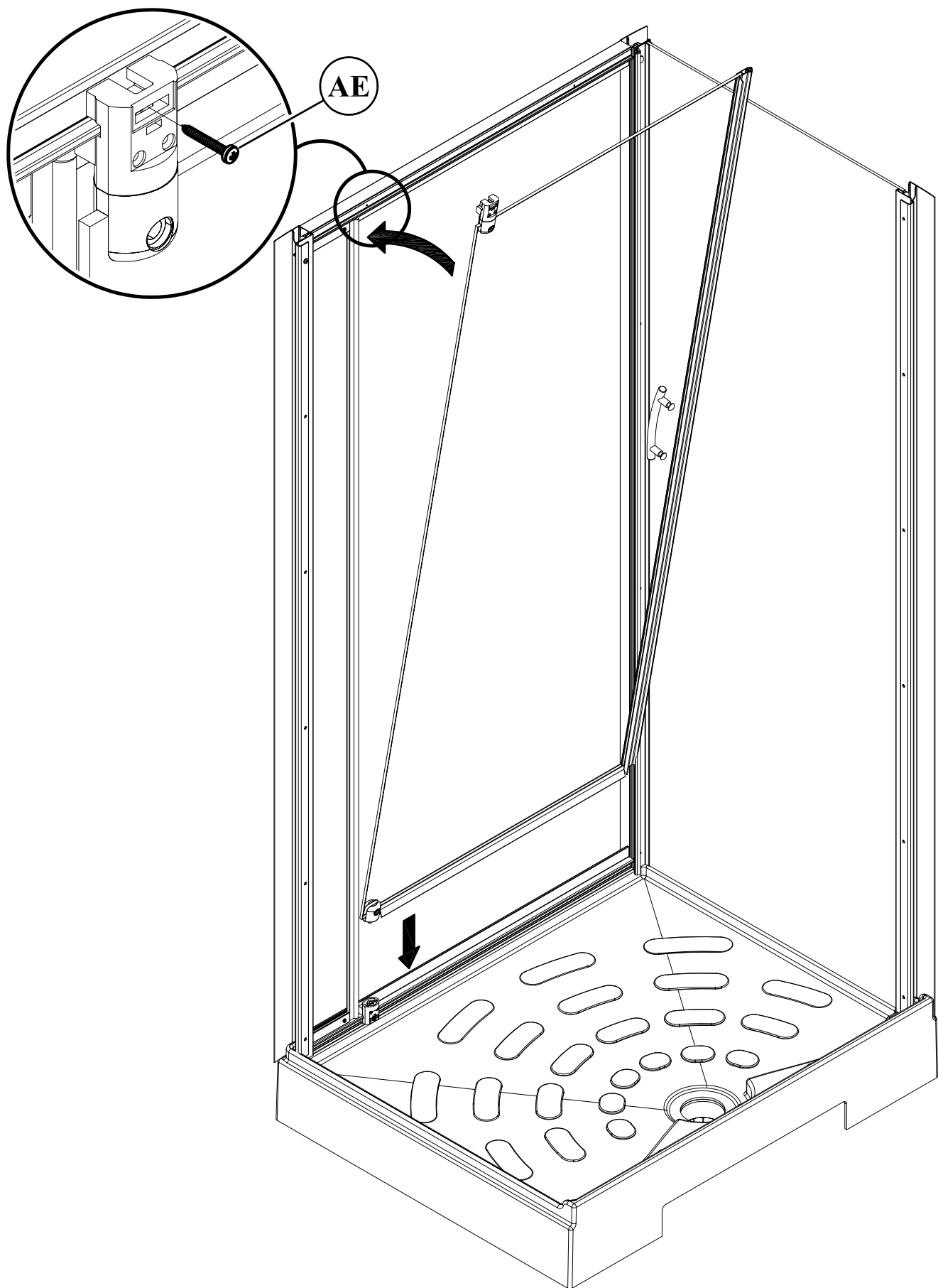




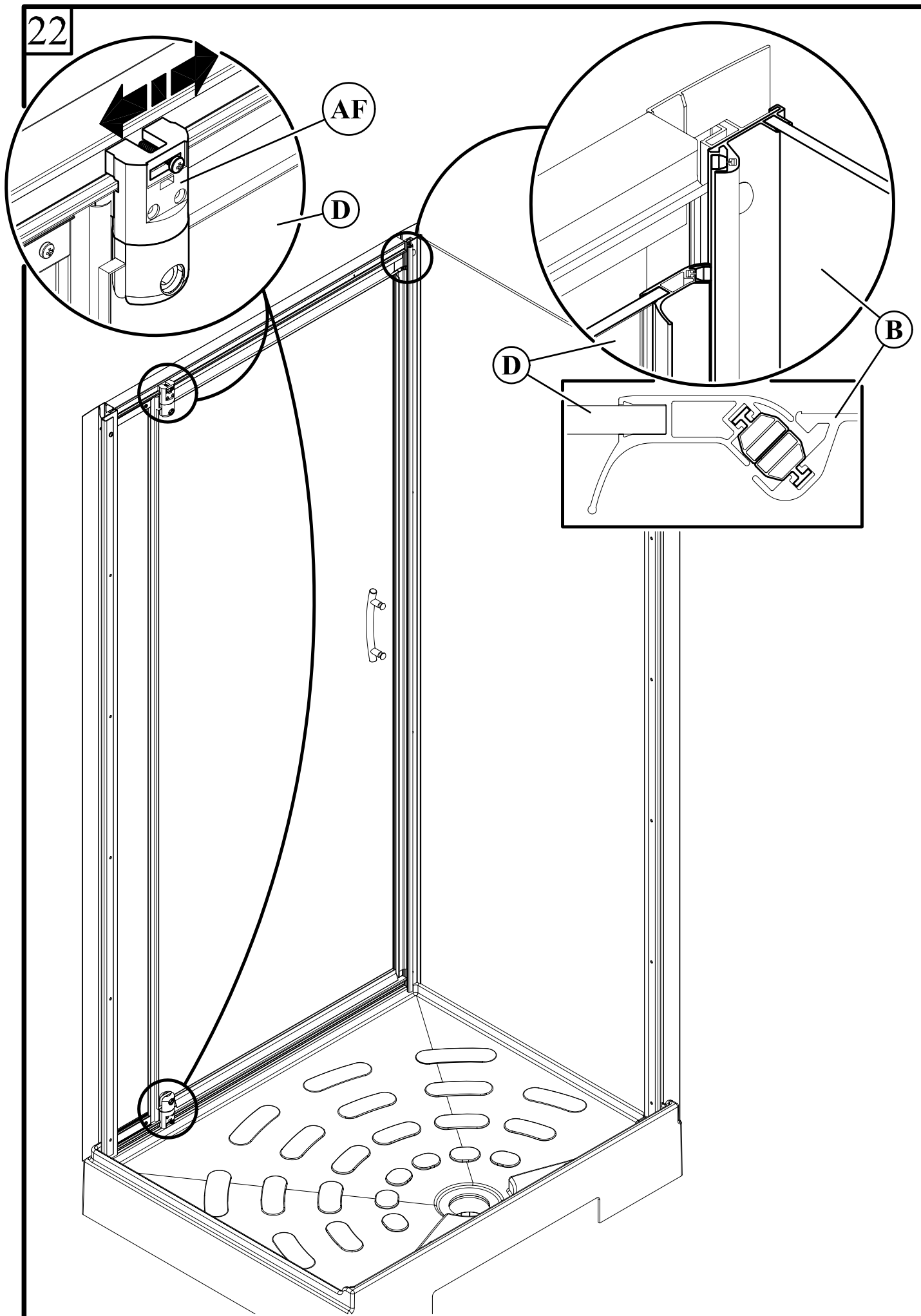


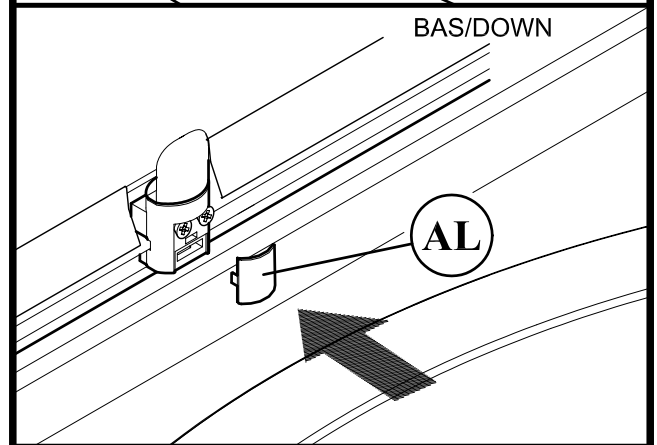
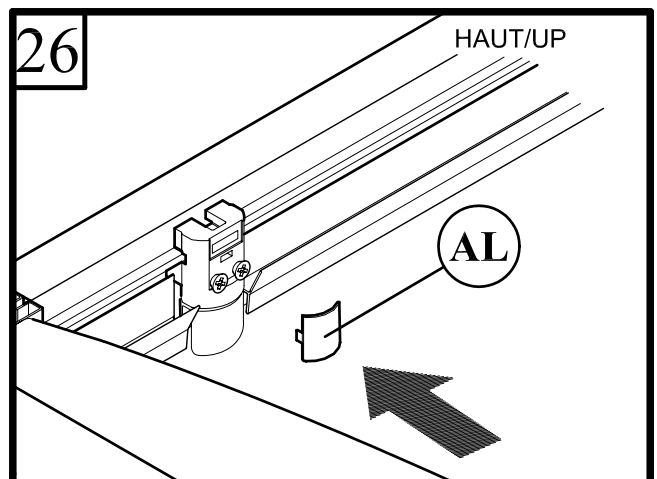
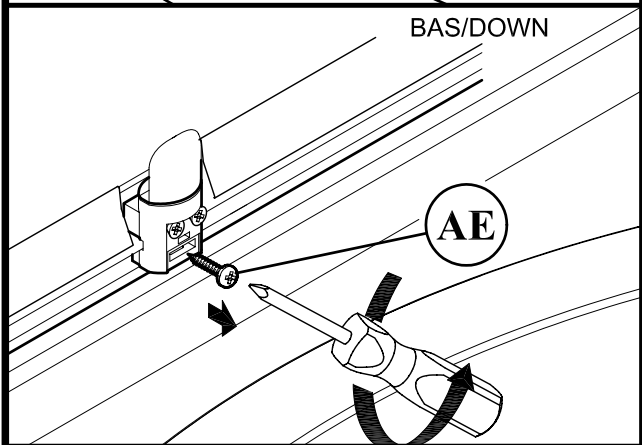
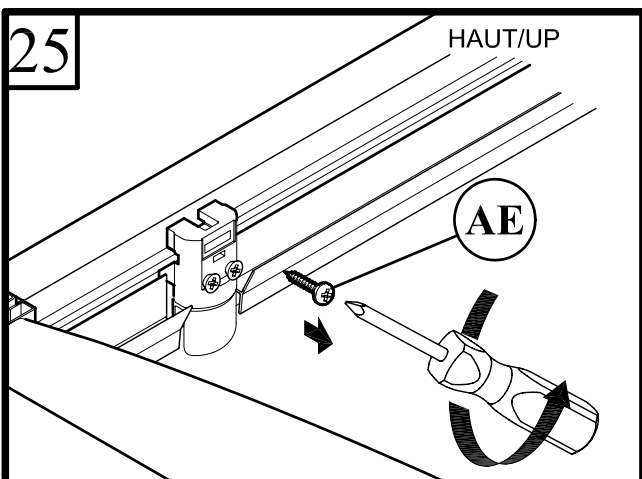
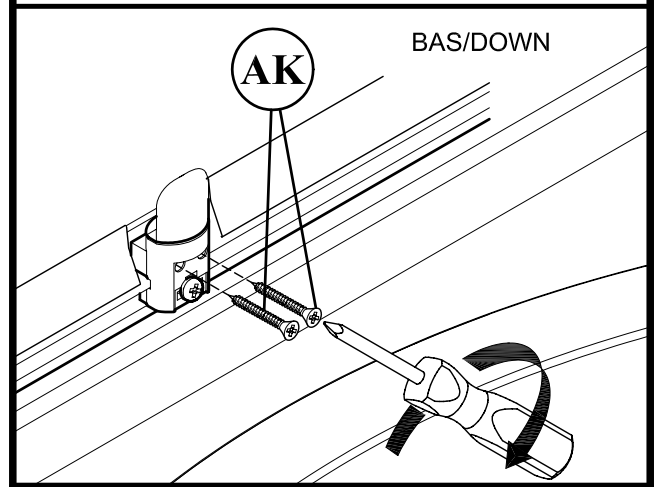
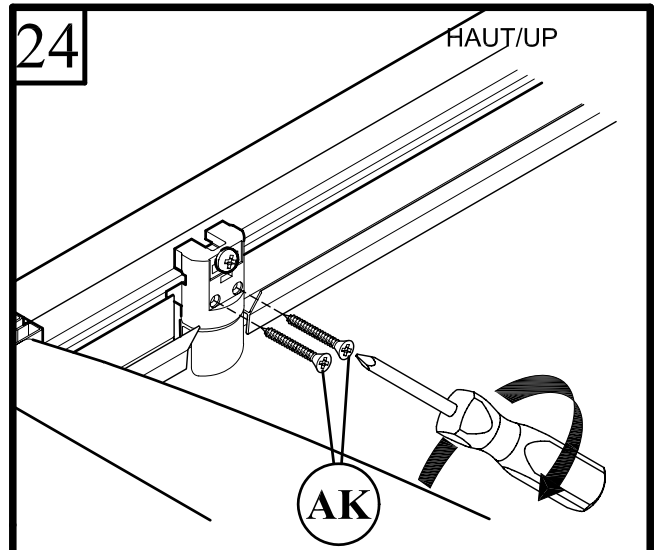
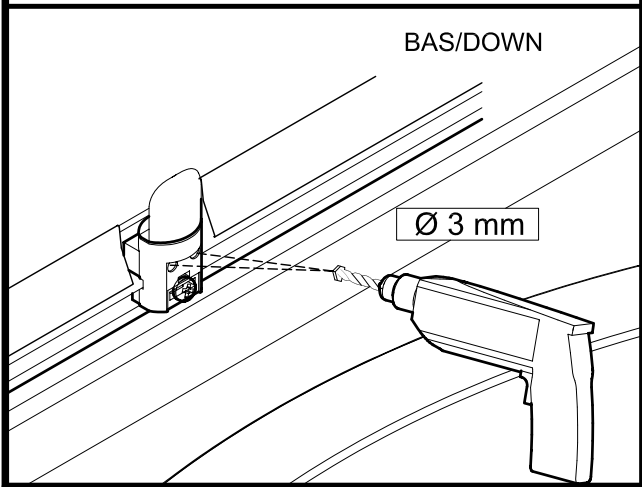
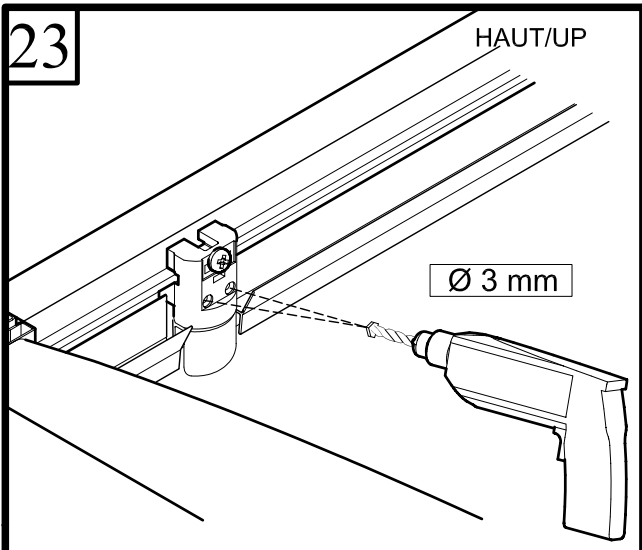


21



22





27

